

R-302SN



Standard: IEC 60320 F

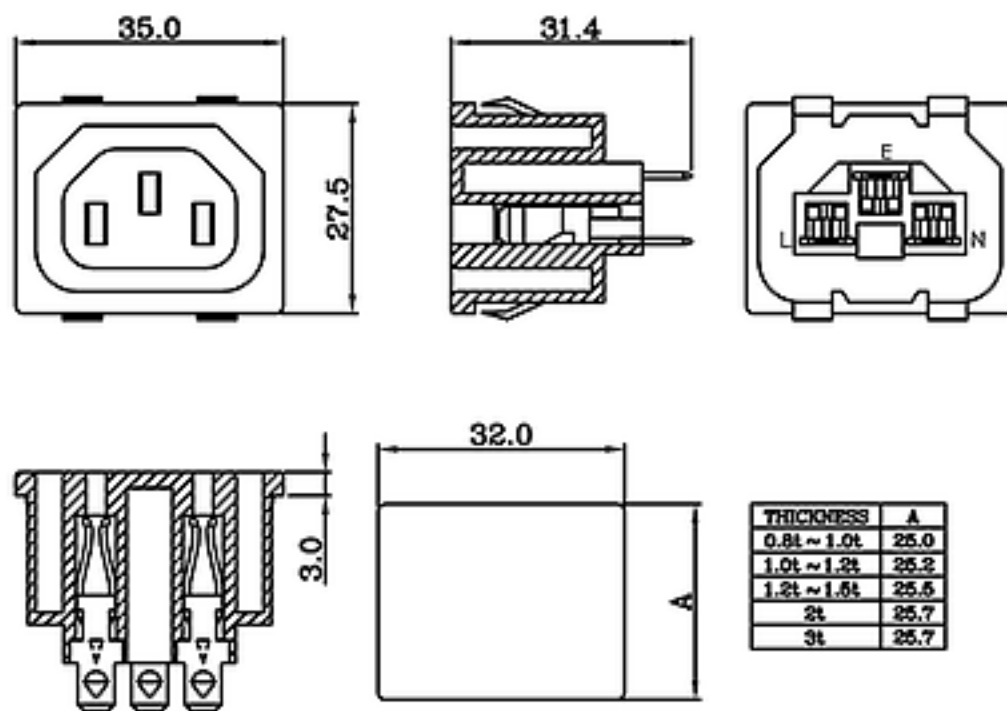
Rating: 15A 250V AC / 10A 250V AC

Insulation Resistance: 100MΩ 500V DC/1 minute

Dielectric Strength: 2000V AC/1 minute

Housing Material: Thermoplastic 94V-2~V-0

Dimensions



THICKNESS	A
0.8t ~ 1.0t	25.0
1.0t ~ 1.2t	25.2
1.2t ~ 1.5t	25.5
2t	25.7
3t	25.7

PANEL CUT-OUT