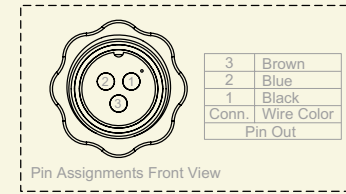
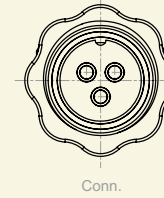
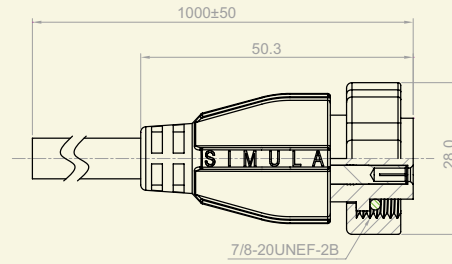


WP013C-3FDB-100



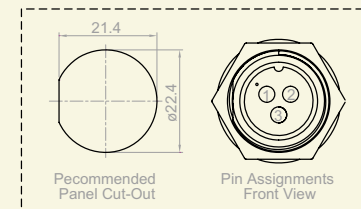
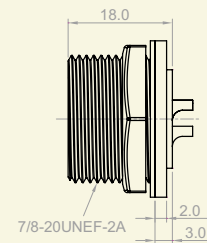
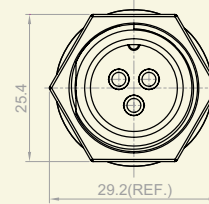
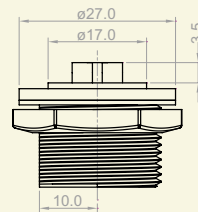
WATERPROOF



WP013C-3MAB-A02

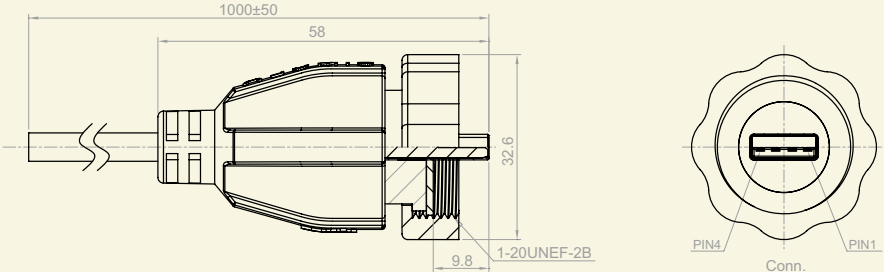


WATERPROOF



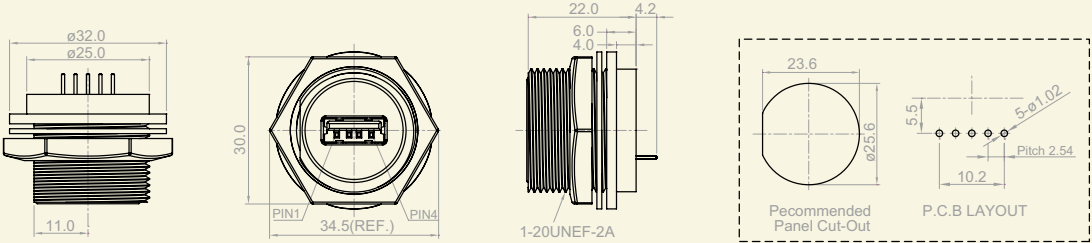
WATERPROOF

WP200C-0MDB-100



WATERPROOF

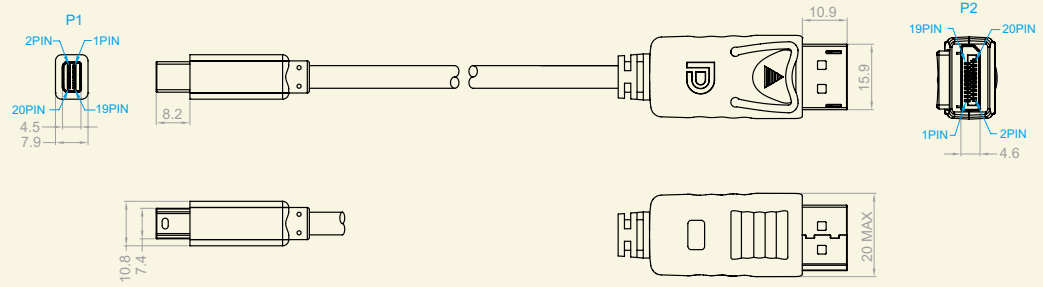
WP200C-0FBB-A00



CB803A-X000-10X



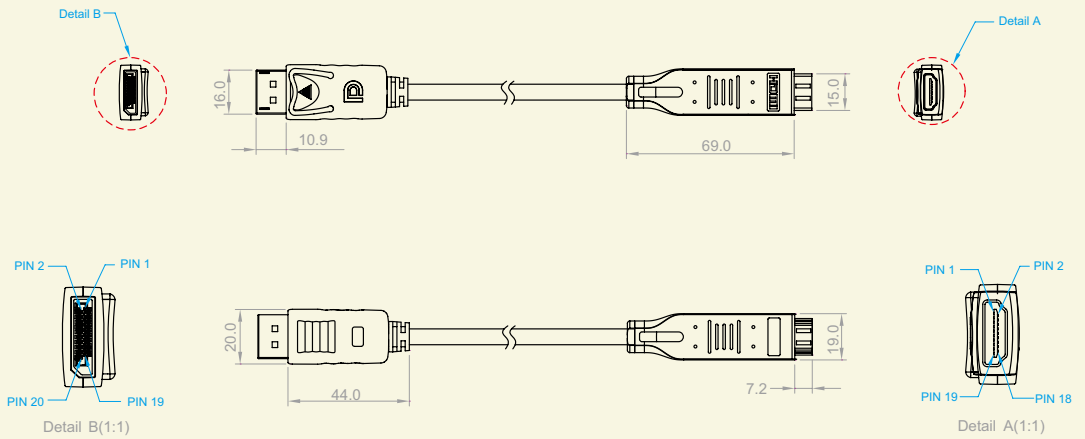
mDP TO DP



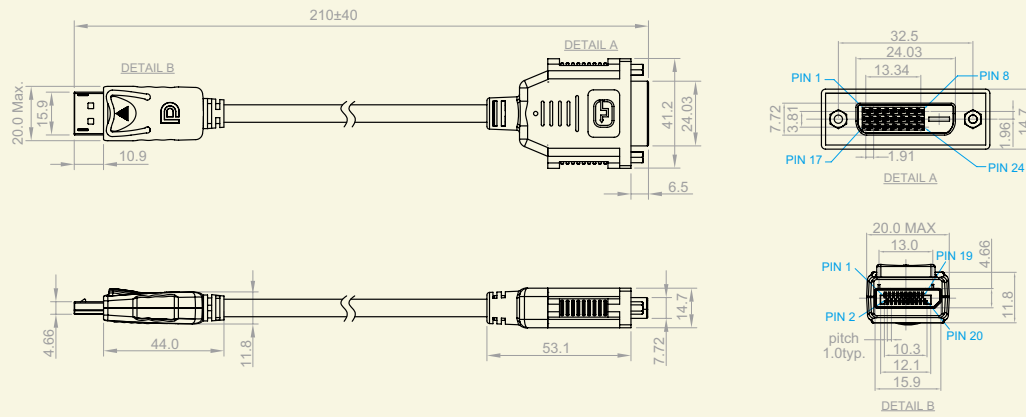
DJ801C-1000-10X



DP TO HDMI



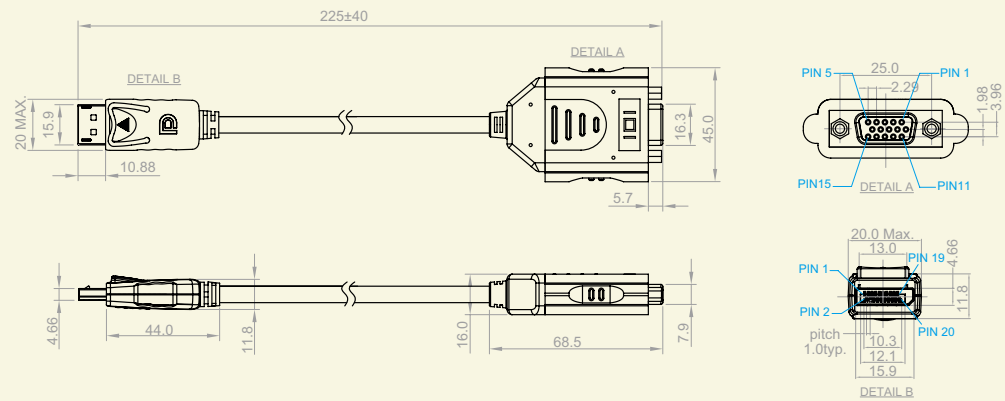
DP TO DVI



DJ802B-1100-10X



DP TO VGA



DJ805B-1100-10X





Cable

CB801A	DP(M) - DP(M)	<ul style="list-style-type: none">• Length: 1.5m ~ 3m• Emission: FCC/CISPR Class-B• Support to 1080P/WUXGA (1920x1200)
CB802A	mDP(M) - mDP(M)	



Adapter

CB803A	mDP(M) - DP(M)	<ul style="list-style-type: none">• Length: 1.5m ~ 3m• Emission: FCC/CISPR Class-B• Support to 1080P/WUXGA (1920x1200)
CB802C	mDP(M) - DP(F)	
CB805A	DP(M) - mDP(F)	<ul style="list-style-type: none">• Length: 0.1m ~ 0.5m• Emission: FCC/CISPR Class-B• Support to 1080P/WUXGA (1920x1200)



Dongle		
DJ801B	DP(M) - HDMI(F) • Length : 62 mm	<ul style="list-style-type: none"> • Passive Type • ESD: 8K / 15K Mode • Emission: FCC/CISPR Class-B • Support to 1080P/WUXGA (1920x1200)
DJ801C	DP(M) - HDMI(F) • Length : 220 mm	
DJ801D	mDP(M) - HDMI(F) • Length : 220 mm	
DJ802B	DP(M) - DVI(F) • Length : 220 mm	<ul style="list-style-type: none"> • Passive Type • ESD: 8K / 15K Mode • Emission: FCC/CISPR Class-B • Support to 1080P/WUXGA (1920x1200)
DJ802D	mDP(M) - DVI(F) • Length : 220 mm	
DJ805B	DP(M) - VGA(F) • Length : 225 mm	<ul style="list-style-type: none"> • Active Type • ESD: 8K / 15K Mode • Emission: FCC/CISPR Class-B • Support to 1080P/WUXGA (1920x1200)
DJ805C	mDP(M) - VGA(F) • Length : 225 mm	