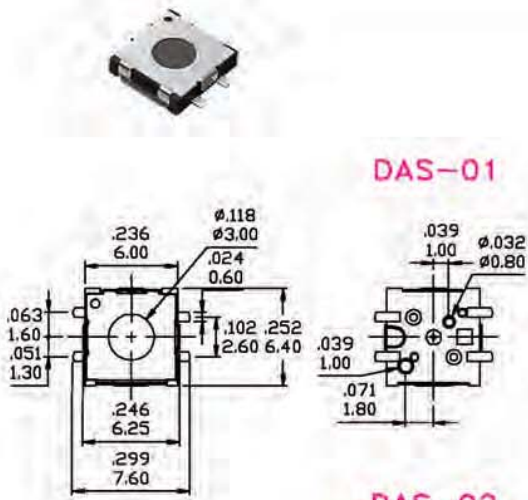


SPECIFICATIONS :

RATING: 12 VDC 50 mA
 OPERATING TEMPERATURE: -20°C +70°C
 CONTACT RESISTANCE: 200mΩ (Initial)
 INSULATION RESISTANCE: 100MΩ (MIN)
 WITHSTANDING VOLTAGE:
 To be normal for 1 minute at 250 VDC.

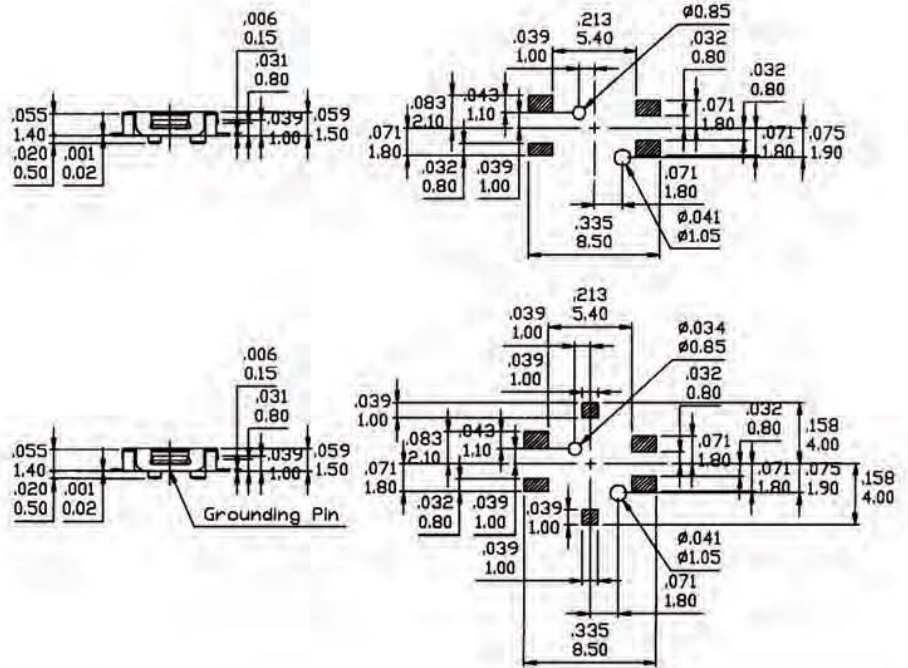
BOUNCE: 5 ms MAX.
 ELECTRICAL LIFE: 20,000 times
 OPERATING FORCE: 1st=1.0±0.4N 2 nd=2.9±0.8N
 HEAT RESISTANCE:
 Manual soldering 300°C 3 sec
 Reflow soldering 240°C 20 sec MAX
 PACKING QUANTITY: 2000 pcs/per reel.

P.C.B MOUNTING

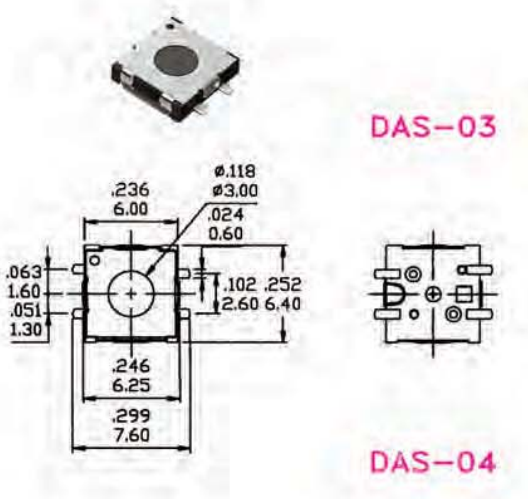


DAS-01

DAS-02

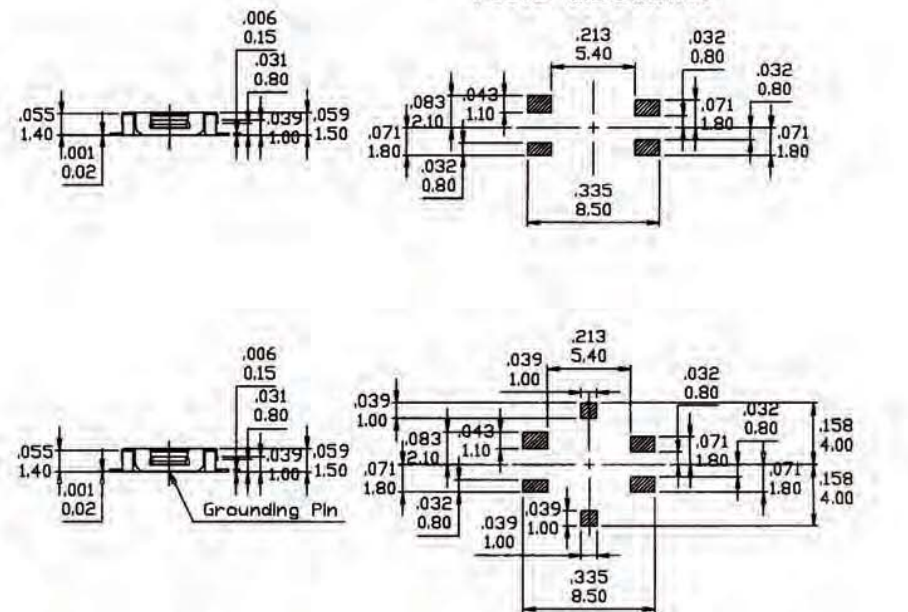


P.C.B MOUNTING



DAS-03

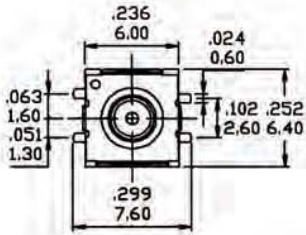
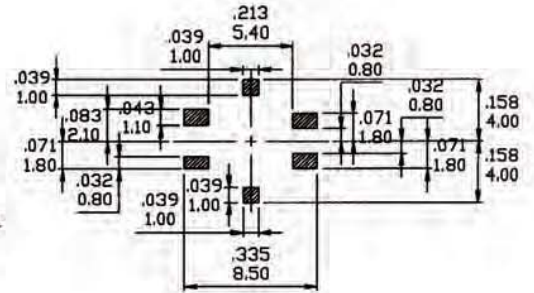
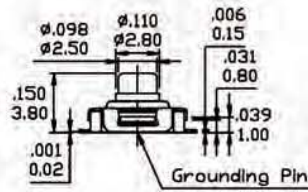
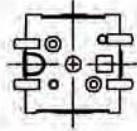
DAS-04



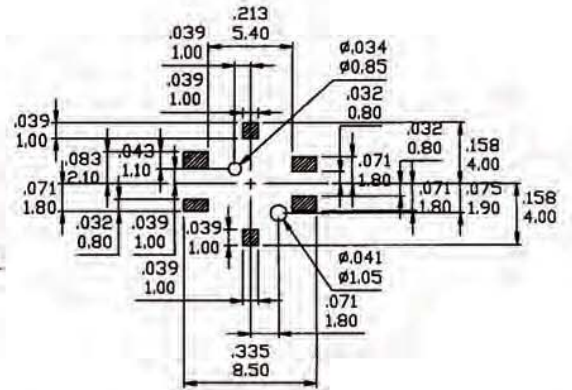
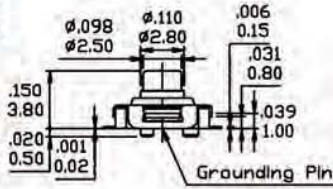
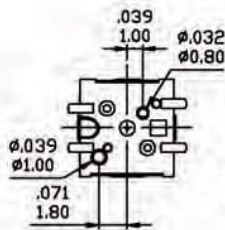
P.C.B MOUNTING



DAS-05



DAS-06



HOW TO ORDER

