

Series AV

Anti-Vandal Pushbutton Switches

SPECIFICATIONS:

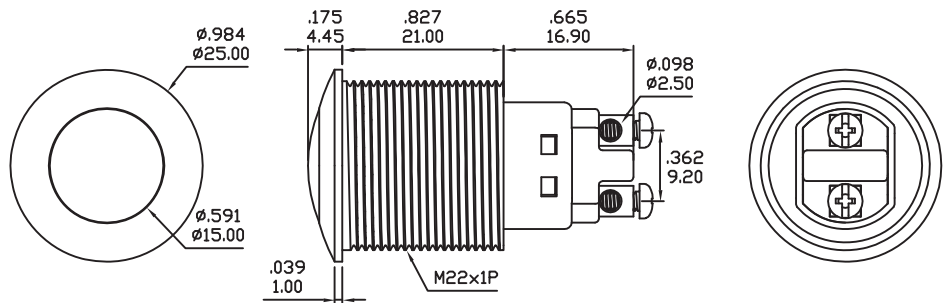
BUSHING: ϕ 22mm.
 CONTACT RATING: 2A @ 48VDC or 125VAC.
 ELECTRICAL LIFE: 10,000cycles at full load.
 CONTACT RESISTANCE: 10m-ohms max. initial @2-4VDC.
 INSULATION RESISTANCE: 1,000M-ohms min. @ 500VDC.
 DIELECTRIC STRENGTH: 3,000V RMS 50~60Hz.
 OPERATING TEMPERATURE: -20°C~+55°C.

MATERIALS:

BUSHING & BUTTON: Brass nickel plated.
 CONTACT: Silver alloy.
 BODY & BASE: Glass filled nylon 6/6 (UL 94V-0).
 NUT: Nickel plated brass.

Specifications and Dimensions subject to change

SPST ϕ 22mm, Solder Lug

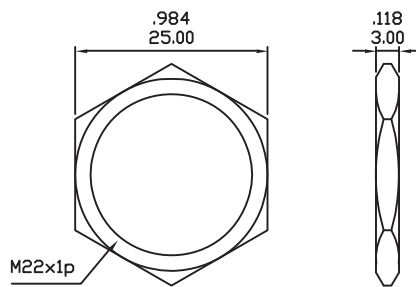


Model No.	Type	
01	OFF	MOM

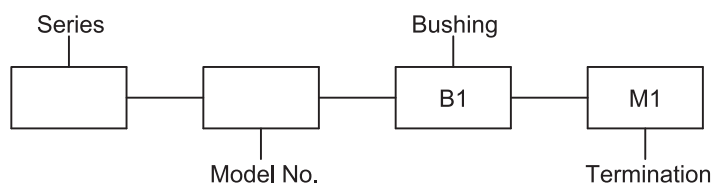
Schematic



NUT



HOW TO ORDER



Series AV

Anti-Vandal Pushbutton Switches

SPECIFICATIONS:

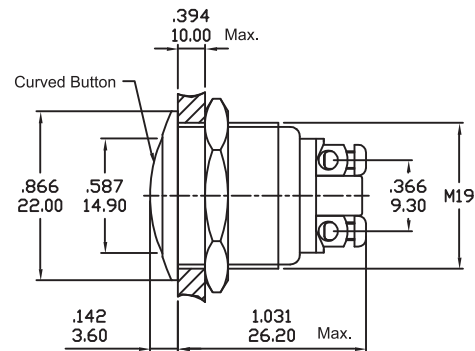
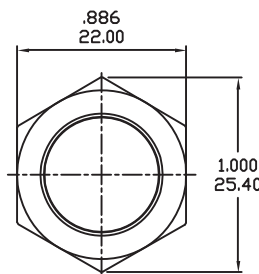
BUSHING: ϕ 19mm, ϕ 16mm, ϕ 12mm
 CONTACT RATING: 2A @ 36VDC.
 ELECTRICAL LIFE: 200,000cycles at full load.
 CONTACT RESISTANCE: 50m-ohms max. initial @2-4VDC.
 INSULATION RESISTANCE: 1,000M-ohms min. @ 500VDC.
 DIELECTRIC STRENGTH: 2,000V RMS 50~60Hz.
 IP CLASS: IP65 protection.
 TORQUE: 5~14Nm max. applied to nut.
 OPERATING FORCE: 5.5N max.
 OPERATING TEMPERATURE: -20°C~+70°C.

MATERIALS:

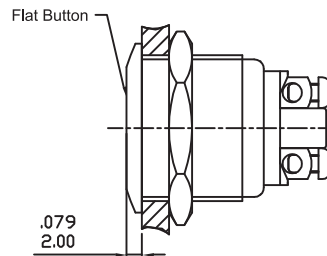
BUSHING: See Bushing Option.
 CONTACT: Silver alloy.
 BASE: PBT.
 NUT: Nickel plated brass.

Specifications and Dimensions subject to change

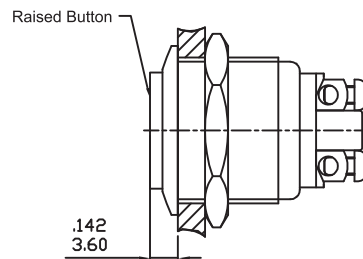
SPST ϕ 19mm, Solder Lug



P/N: AV01-B2-M1



P/N: AV01-B2-M1-F



P/N: AV01-B2-M1-R

Model No.	Type	
01	OFF	MOM

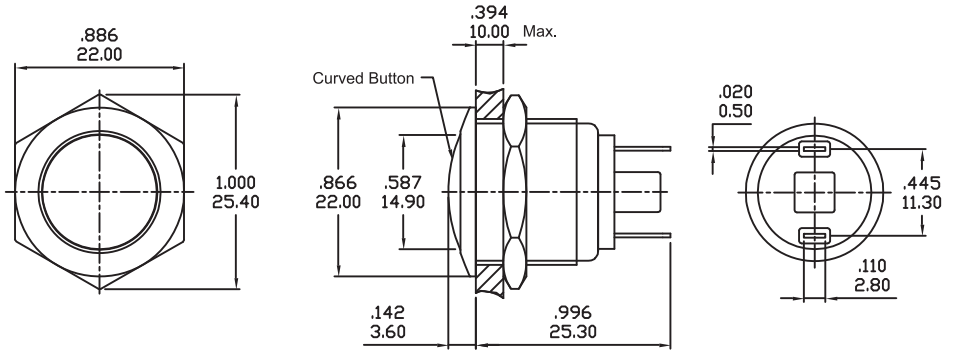
Schematic



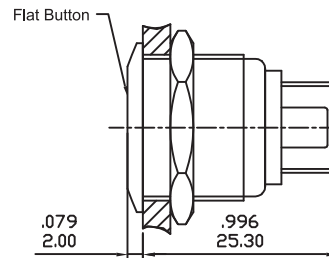
Series AV

Anti-Vandal Pushbutton Switches

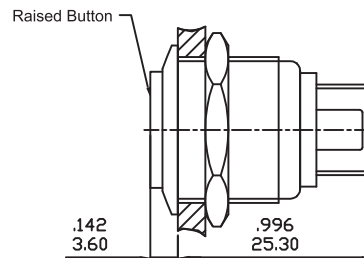
SPST ϕ 19mm, Quick Connect



P/N: AV01-B2-M3



P/N: AV01-B2-M3-F



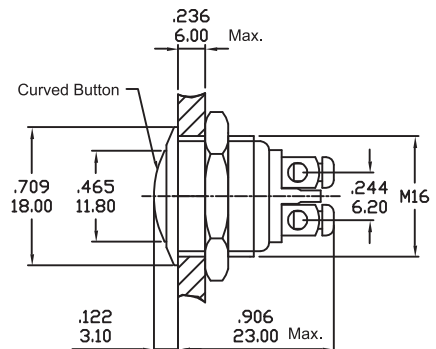
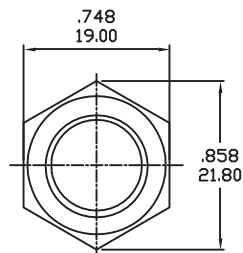
P/N: AV01-B2-M3-R

Model No.	Type	
01	OFF	MOM

Schematic



SPST ϕ 16mm, Solder Lug

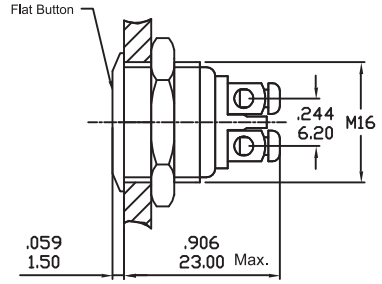
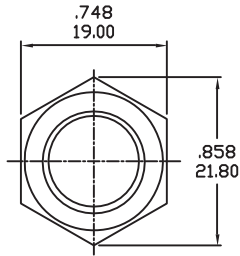


P/N: AV01-B3-M1

Series AV

Anti-Vandal Pushbutton Switches

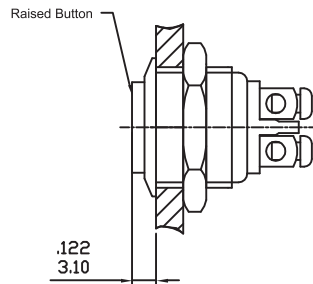
SPST ϕ 16mm, Solder Lug



P/N: AV01-B3-M1-F

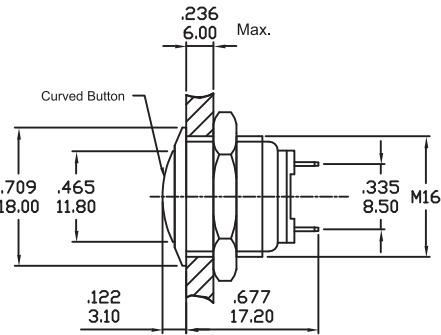
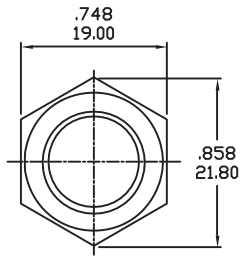
Model No.	Type	
01	OFF	MOM

Schematic

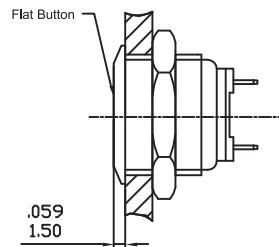
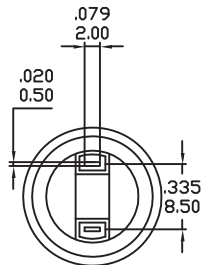


P/N: AV01-B3-M1-R

SPST ϕ 16mm, Quick Connect



P/N: AV01-B3-M3

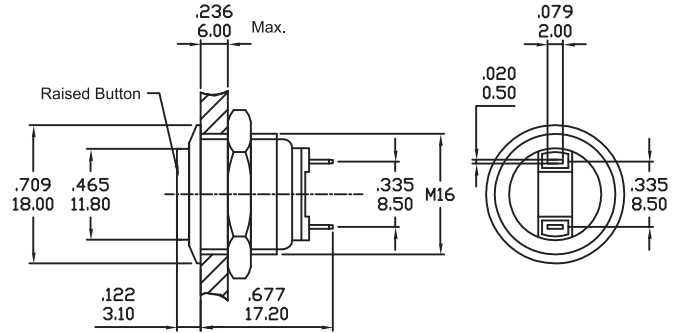
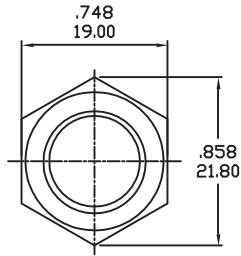


P/N: AV01-B3-M3-F

Series AV

Anti-Vandal Pushbutton Switches

SPST ϕ 16mm, Quick Connect



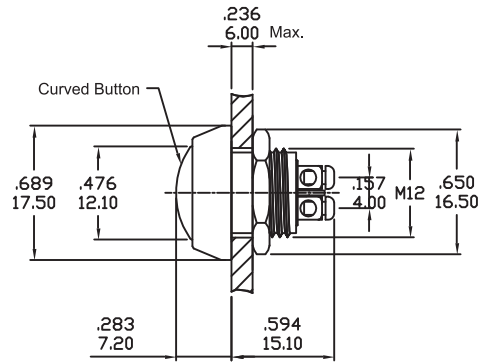
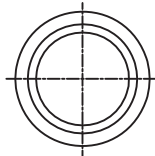
P/N: AV01-B3-M3-R

Model No.	Type	
01	OFF	MOM

Schematic



SPST ϕ 12mm, Solder Lug



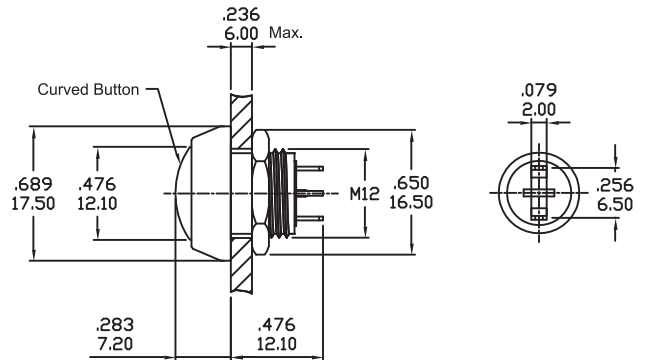
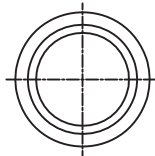
P/N: AV01-B4-M1

Model No.	Type	
01	OFF	MOM

Schematic



SPST ϕ 12mm, Quick Connect



P/N: AV01-B4-M3

Model No.	Type	
01	OFF	MOM

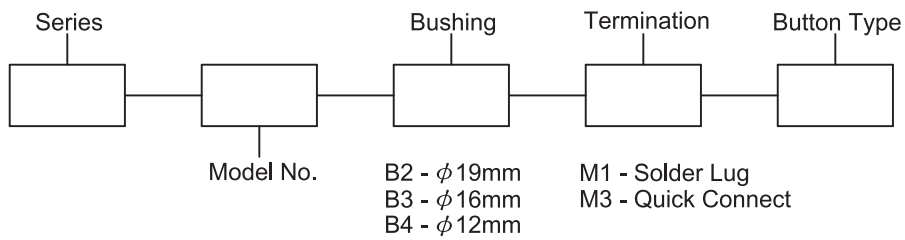
Schematic



BUSHING & BUTTON MATERIAL OPTIONS

Code	Bushing Size	Bushing & Button Material	MOQ
B2,B3,B4	φ 19,16,12mm	Nickel plated brass with varnished polished	100 PCS
B21,B31,B41	φ 19,16,12mm	Gold plated brass with varnished polished	2,000 PCS
B22,B32,B42	φ 19,16,12mm	Stainless steel with varnished polished	100 PCS
B23,B33,B43	φ 19,16,12mm	Zinc alloy with black nickel plated	2,000 PCS

HOW TO ORDER



SPECIFICATIONS:

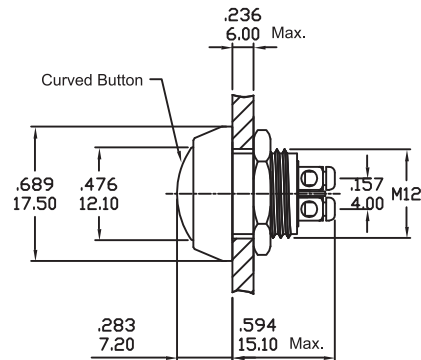
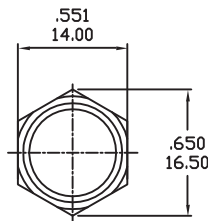
BUSHING: ϕ 12mm.
 CONTACT RATING: 2A @ 36VDC.
 ELECTRICAL LIFE: 200,000cycles at full load.
 CONTACT RESISTANCE: 50m-ohms max. initial @2-4VDC.
 INSULATION RESISTANCE: 1,000M-ohms min. @ 500VDC.
 DIELECTRIC STRENGTH: 2,000V RMS 50~60Hz.
 IP CLASS: IP65 protection.
 TORQUE: 5~14Nm max. applied to nut.
 OPERATING FORCE: 5.5N max.
 OPERATING TEMPERATURE: -20°C~+70°C.

MATERIALS:

BUSHING: Zinc alloy, black nickel plated.
 CONTACT: Silver alloy.
 BUTTON & BASE: PBT.
 NUT: Nickel plated brass.

Specifications and Dimensions subject to change

SPST ϕ 12mm, Solder Lug



P/N: AV01P-B4-M1-x

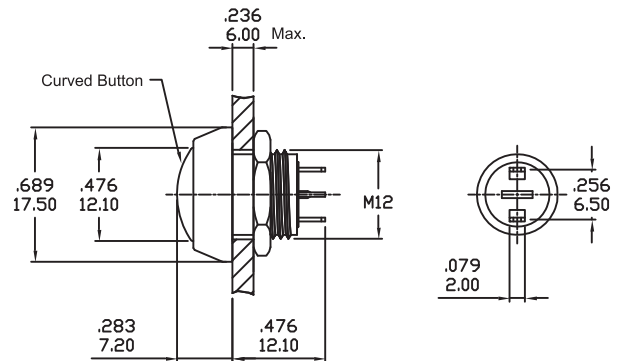
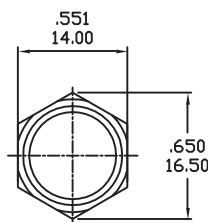
Replace "x" with button color

Model No.	Type	
01	OFF	MOM

Schematic



SPST ϕ 12mm, Quick Connect



P/N: AV01P-B4-M3-x

Replace "x" with button color

Model No.	Type	
01	OFF	MOM

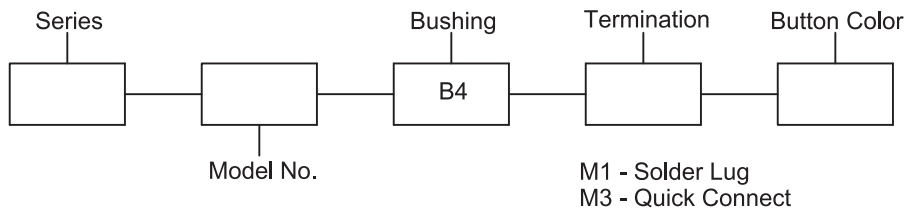
Schematic



BUTTON COLOR OPTIONS

Code	Button Color
R	Red
G	Green
Y	Yellow
O	Orange
B	Blue
W	White
K	Black

HOW TO ORDER



Series AV

Anti-Vandal Pushbutton Switches

SPECIFICATIONS:

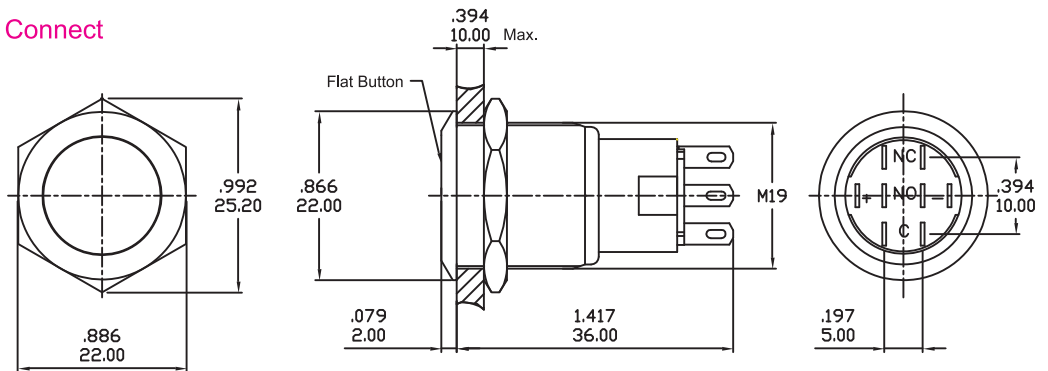
BUSHING: ϕ 19mm, ϕ 16mm.
 CONTACT RATING: ϕ 19mm 5A @ 250VAC,
 ϕ 16mm 3A @ 250VAC.
 ELECTRICAL LIFE: 50,000cycles at full load.
 CONTACT RESISTANCE: 50m-ohms max. initial @2-4VDC.
 INSULATION RESISTANCE: 1,000M-ohms min. @ 500VDC.
 DIELECTRIC STRENGTH: 2,000V RMS 50~60Hz.
 IP CLASS: IP67 protection.
 TORQUE: 5~14Nm max. applied to nut.
 OPERATING FORCE: 4N max.
 OPERATING TEMPERATURE: -20°C~+70°C.

MATERIALS:

BUSHING: See Bushing Option.
 CONTACT: Silver alloy.
 BASE: PBT.
 NUT: Nickel plated brass.

Specifications and Dimensions subject to change

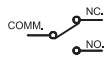
Non-latching ϕ 19mm, Quick Connect



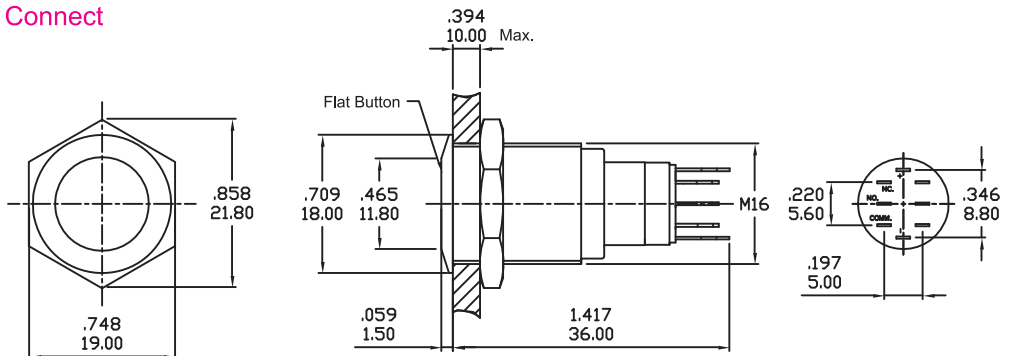
P/N: AV02-B22-M3-F

Model No.	Type	
02	ON	MOM

Schematic



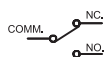
Non-latching ϕ 16mm, Quick Connect



P/N: AV02-B3-M3-F

Model No.	Type	
02	ON	MOM

Schematic

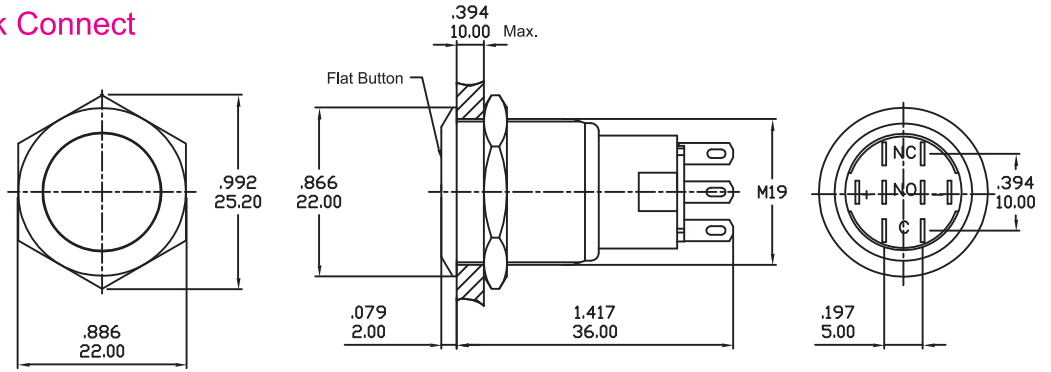


P/N: AV02-B3-M3-R

Series AV

Anti-Vandal Pushbutton Switches

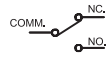
Latching ϕ 19mm, Quick Connect



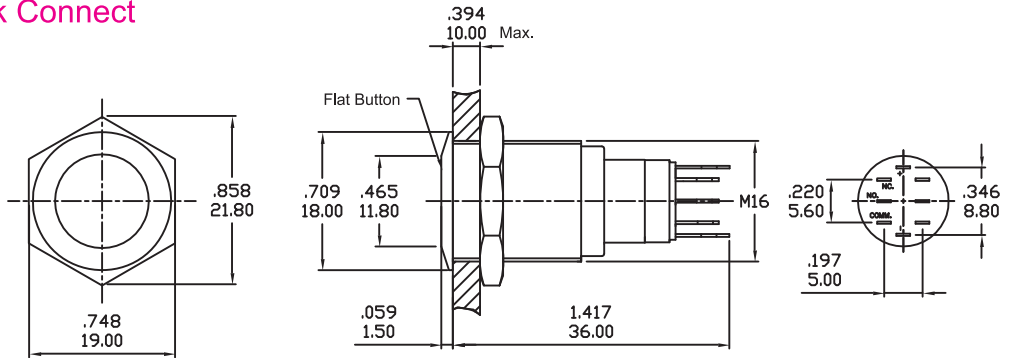
P/N: AV03-B22-M3-F

Model No.	Type	
03	ON	ON

Schematic



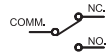
Latching ϕ 16mm, Quick Connect



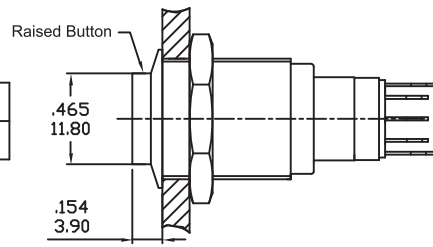
P/N: AV03-B3-M3-F

Model No.	Type	
03	ON	ON

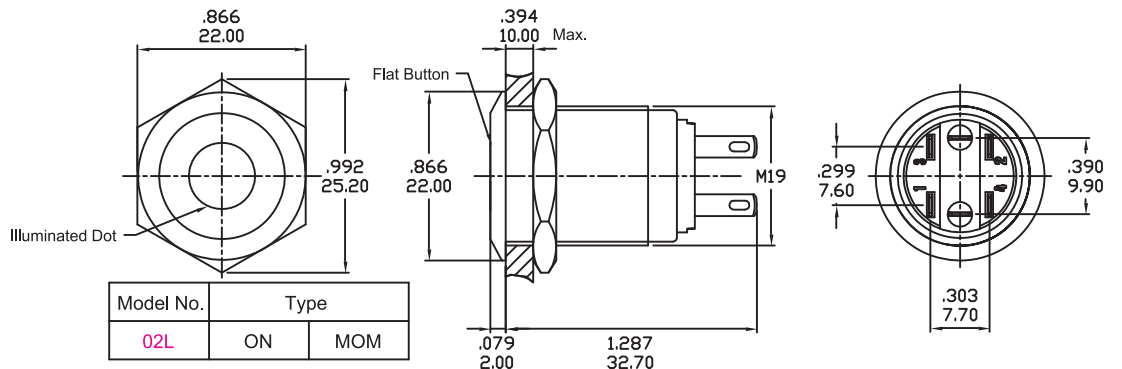
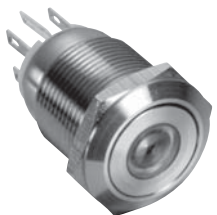
Schematic



P/N: AV03-B3-M3-R



Illuminated Non-Latching ϕ 19mm, Quick Connect



Model No.	Type	
02L	ON	MOM

Schematic

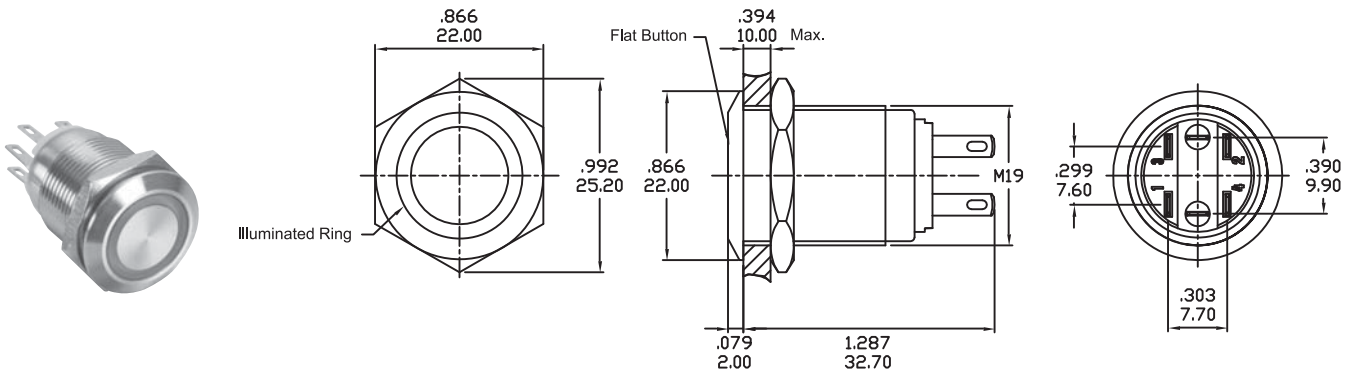


P/N: AV02L-B22-M3-FD-x
Replace "x" with LED color

Series AV

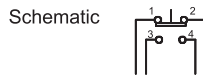
Anti-Vandal Pushbutton Switches

Illuminated Non-Latching ϕ 19mm, Quick Connect

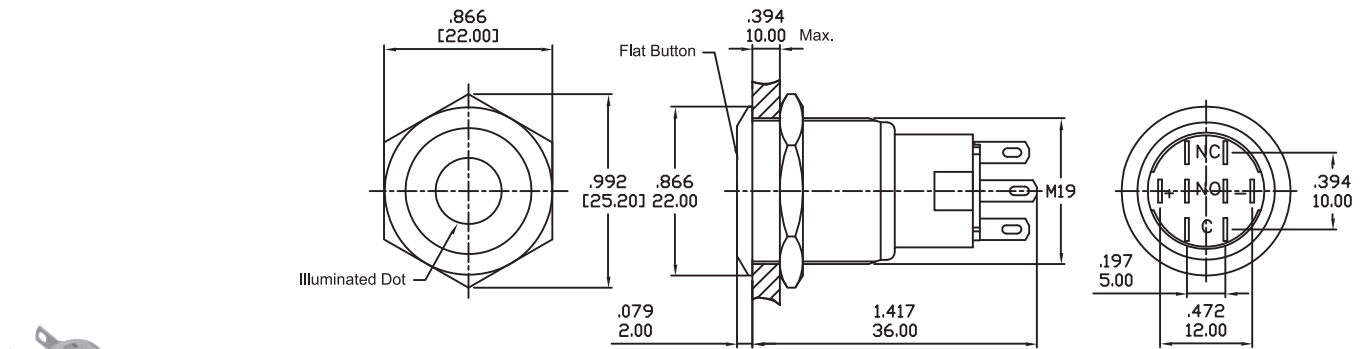


P/N: AV02L-B22-M3-FR-x
Replace "x" with LED color

Model No.	Type	
02L	ON	MOM



Illuminated Non-Latching ϕ 19mm, Quick Connect, Long Case



P/N: AV02L-B22-M3-FD-x-LO
Replace "x" with LED color

P/N: AV02L-B22-M3-FR-x-LO
Replace "x" with LED color

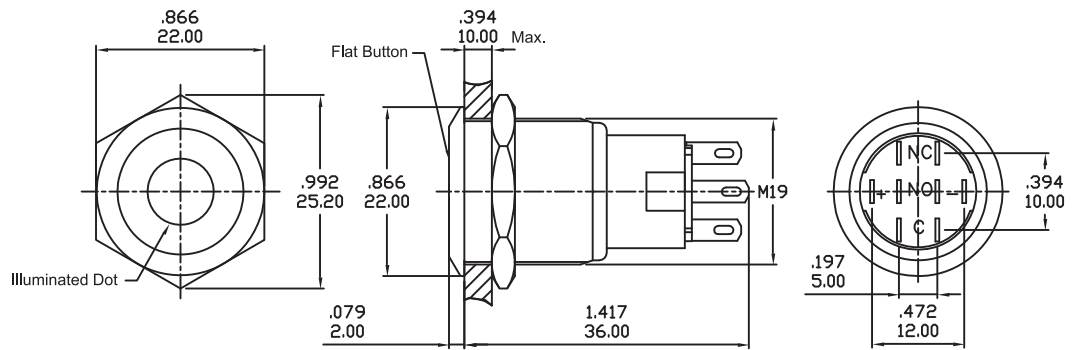
Model No.	Type	
02L	ON	MOM



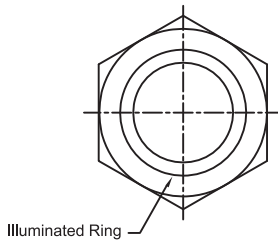
Series AV

Anti-Vandal Pushbutton Switches

Illuminated Latching $\phi 19\text{mm}$, Quick Connect, Long Case



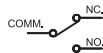
P/N: AV03L-B22-M3-FD-x-LO
Replace "x" with LED color



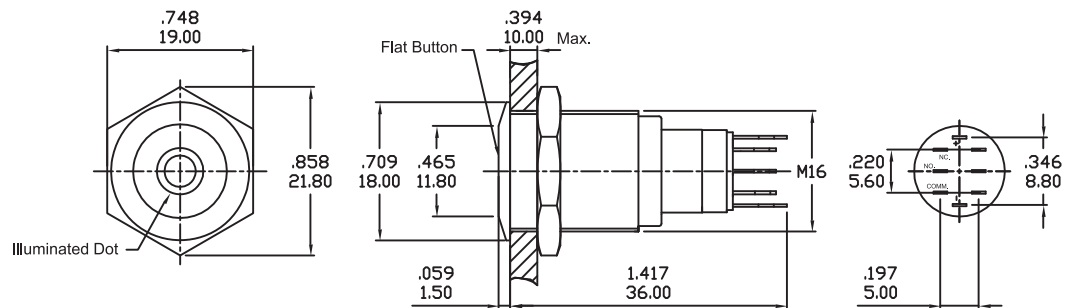
P/N: AV03L-B22-M3-FR-x-LO
Replace "x" with LED color

Model No.	Type	
03L	ON	ON

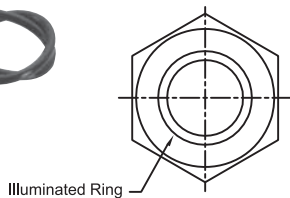
Schematic



Illuminated Non-Latching $\phi 16\text{mm}$, Quick Connect



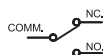
P/N: AV02L-B3-M3-FD-x
Replace "x" with LED color



P/N: AV02L-B3-M3-FR-x
Replace "x" with LED color

Model No.	Type	
02L	ON	MOM

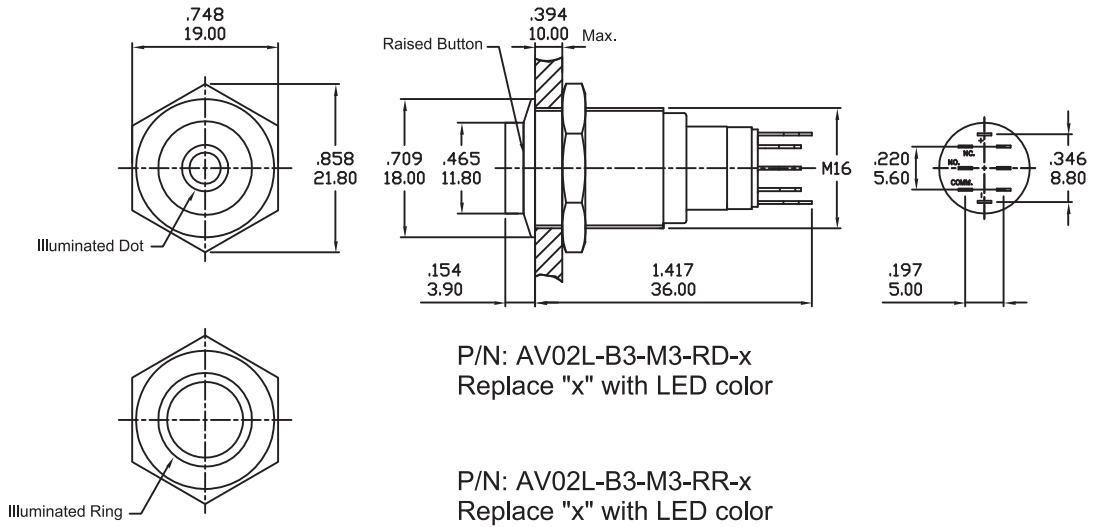
Schematic



Series AV

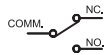
Anti-Vandal Pushbutton Switches

Illuminated Non-Latching ϕ 16mm, Quick Connect

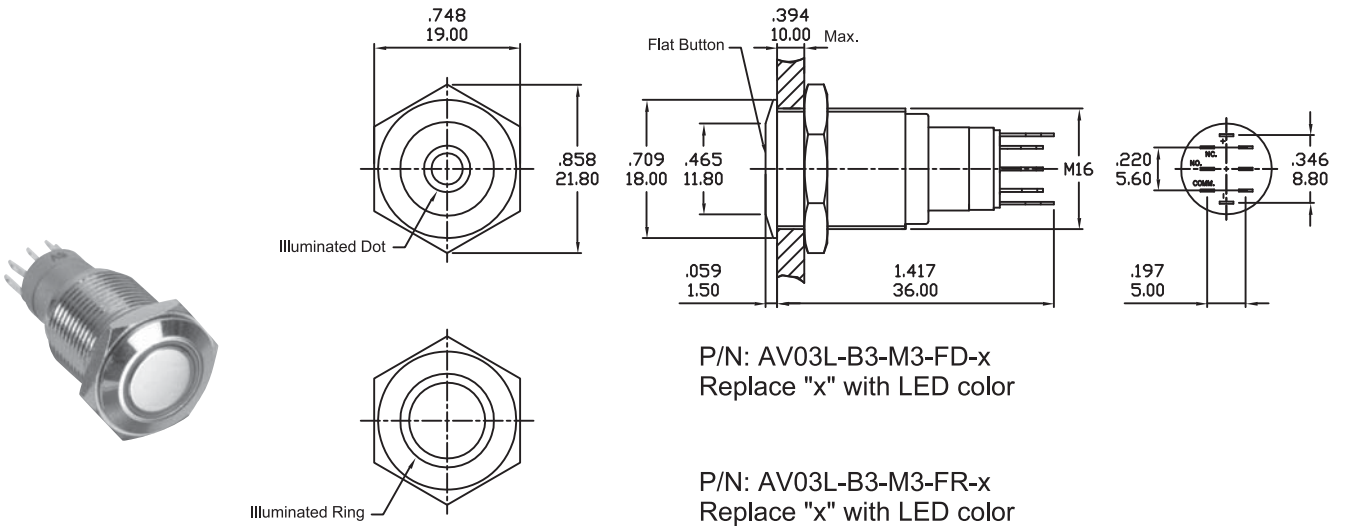


Model No.	Type	
02L	ON	MOM

Schematic

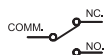


Illuminated Latching ϕ 16mm, Quick Connect

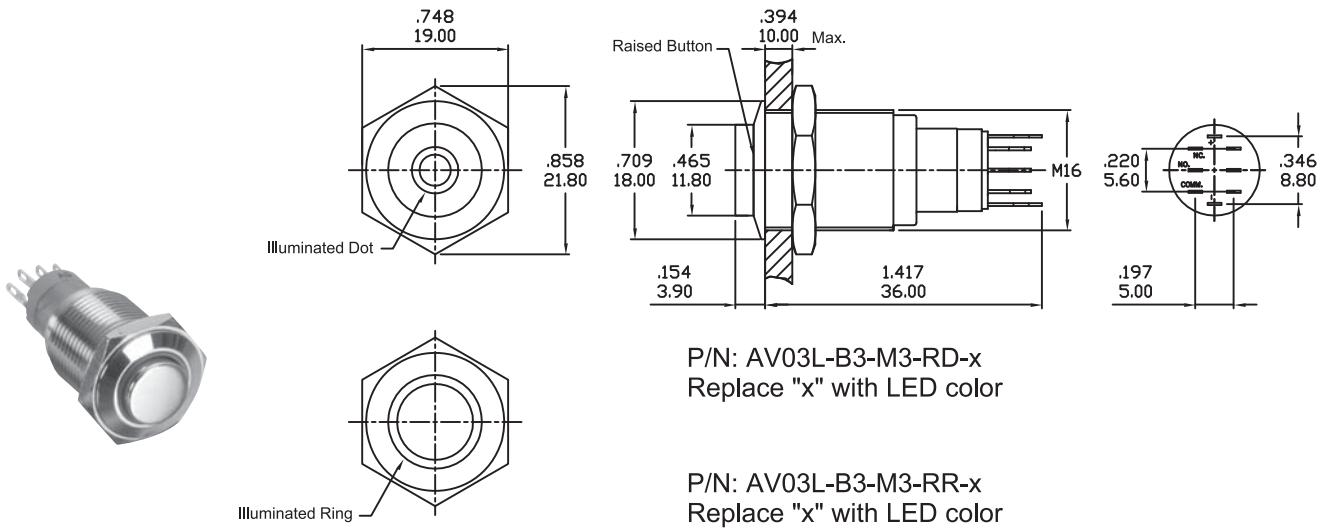


Model No.	Type	
03L	ON	ON

Schematic

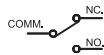


Illuminated Latching ϕ 16mm, Quick Connect



Model No.	Type	
03L	ON	ON

Schematic



BUSHING & BUTTON MATERIAL OPTIONS

Code	Bushing Size	Bushing & Button Material	MOQ
B3	ϕ 16mm	Nickel plated brass with varnished polished	100 PCS
B31	ϕ 16mm	Gold plated brass with varnished polished	2,000 PCS
B22,B32	ϕ 19,16mm	Stainless steel with varnished polished	100 PCS
B23,B33	ϕ 19,16mm	Zinc alloy with black nickel plated	2,000 PCS

LED COLOR OPTIONS

Code	Button Color
R	Red
G	Green
Y	Yellow
O	Orange
B	Blue
W	White

OPTION CODE

Code	LED Voltage and Consumption
6V	6V (AC/DC Compatible) 15mA
12V	12V (AC/DC Compatible) 15mA
24V	24V (AC/DC Compatible) 15mA
36V	36V (AC/DC Compatible) 15mA
110V	110V (AC/DC Compatible) 5mA
220V	220V (AC/DC Compatible) 5mA

HOW TO ORDER

