

MINI DIN

CJ1XX Series



60

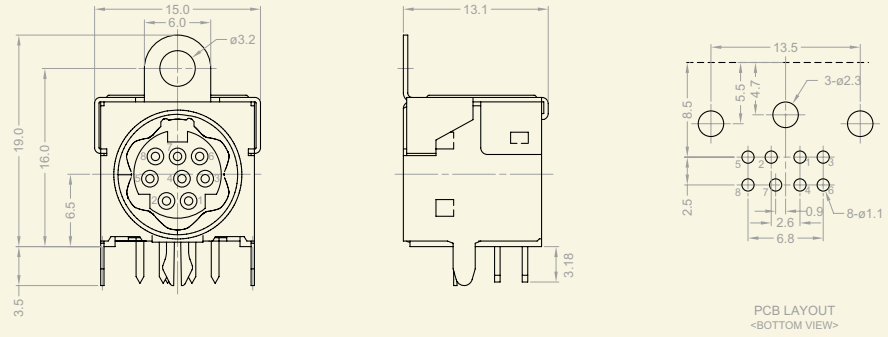
CONFIGURATIONS

TYPE "B"						
8 PINs	8 PINs	7 PINs	6 PINs	5 PINs	4 PINs	3 PINs

CJ104A-XB0C-200



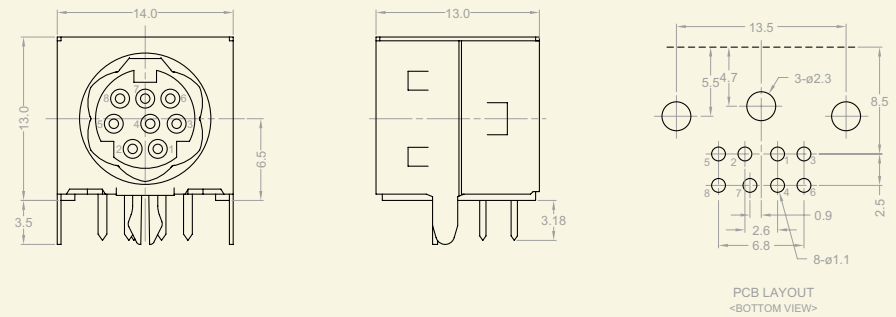
NO. OF PINS
3 PINS
4 PINS
5 PINS
6 PINS
7 PINS
8 PINS



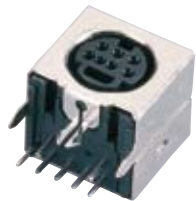
CJ105-XB00-200



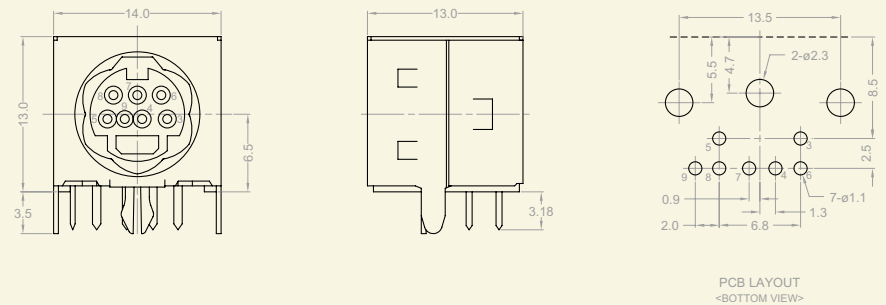
NO. OF PINS
3 PINS
4 PINS
5 PINS
6 PINS
7 PINS
8 PINS



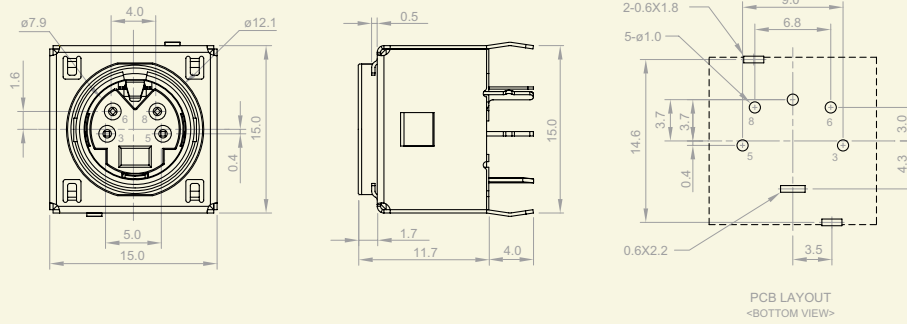
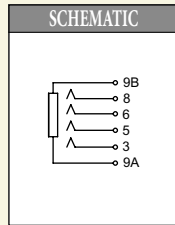
CJ110A-7B00-200



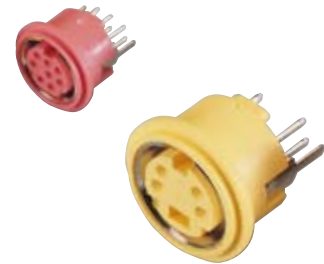
NO. OF PINS
CJ110A-7B00-200



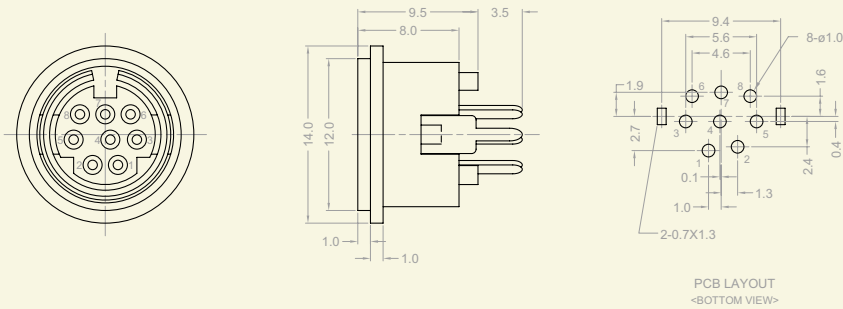
CJ109A-4720-X00



CJ111A-8B00-X02



NO. OF PINS
3 PINS
4 PINS
5 PINS
6 PINS
7 PINS
8 PINS

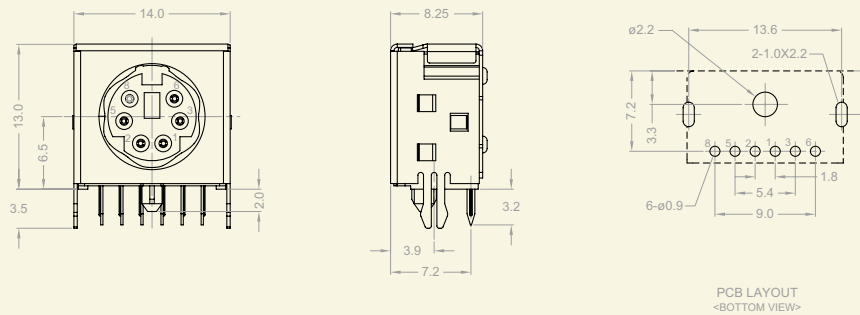


CJ116A-6B00-X02



NO. OF PINS

CJ116A-4B00-200



PART NO.	CJ116A-XB00-200
----------	-----------------

