


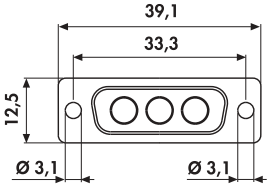
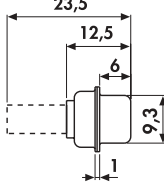
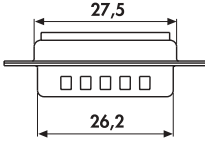
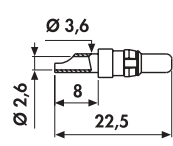
A

**D-Sub mixed layout connectors**

B

**Male headers - suitable for standard D-Sub accessories**


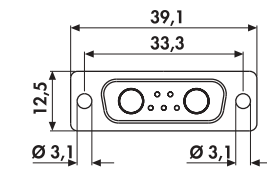
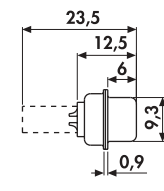
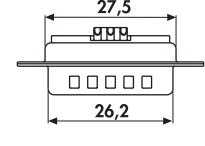
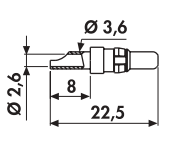
3 high current contacts

				
<b>art. no.</b> <b>DSM 3K3 L20</b>	contact male			

C

D

2 high current contacts, 5 signal contacts


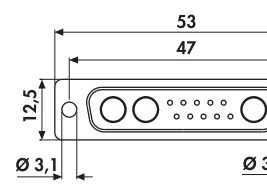
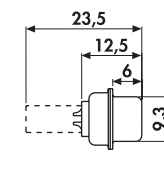
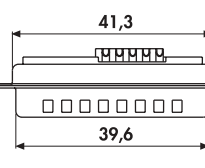
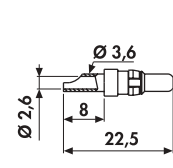
				
<b>art. no.</b> <b>DSM 7K2 L20</b>	contact male			

E

F

G

3 high current contacts, 10 signal contacts

				
<b>art. no.</b> <b>DSM 13K3 L20</b>	contact male			

H

I

Gold-plated contacts.

With high current contacts up to 20 A.

For cables up to AWG 16.

K

L

M

N

**I 15**
**D-Sub high density**  
**D-Sub w. mount. bracket**  
**D-Sub crimp connector**  
**D-Sub cut-out cover**

 → I 7  
 → I 5 - 6  
 → I 13 - 14  
 → I 25

**Accessories for HF**  
**Screw fastening**

 → I 27  
 → I 26

**Female headers - suitable for standard D-Sub accessories**

3 high current contacts

<p><b>art. no.</b> <b>DBM 3K3 L20</b></p>	<p>contact female</p>			

2 high current contacts, 5 signal contacts

<p><b>art. no.</b> <b>DBM 7K2 L20</b></p>	<p>contact female</p>			

3 high current contacts, 10 signal contacts

<p><b>art. no.</b> <b>DBM 13K3 L20</b></p>	<p>contact female</p>			

Gold-plated contacts.

With high current contacts up to 20 A.

For cables up to AWG 16.