
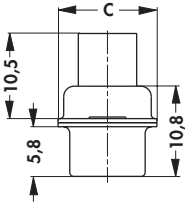
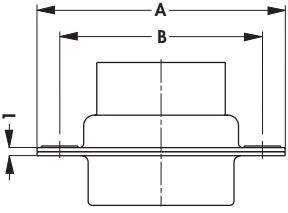


A

Cases for D-Sub crimp connectors

B

Case for male contacts


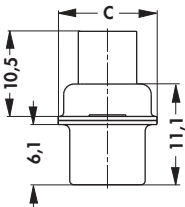
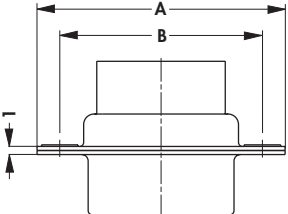
						
	art. no.	no. of contacts	contact	dim. [mm]		
			A	B	C	
DC IS 09	9	male	30.60	25.00	12.20	
DC IS 15	15	male	39.00	33.30	12.20	
DC IS 25	25	male	52.80	47.00	12.20	

D

cases: tin-plated

E

Case for female contacts

						
	art. no.	no. of contacts	contact	dim. [mm]		
			A	B	C	
DC IB 09	9	female	30.60	25.00	12.20	
DC IB 25	25	female	52.80	47.00	12.20	

F

G

H

cases: tin-plated

I

K

L

M

N

I 13
D-Sub standard connectors
Technical data
D-Sub high density
D-Sub mixed layout

 → I 2 - 4
 → I 25 - 26
 → I 7
 → I 15 - 16

Screw fastening
D-Sub cut-out cover

 → I 26
 → I 25