
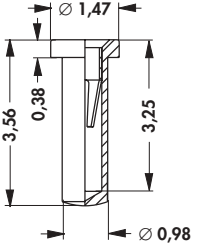

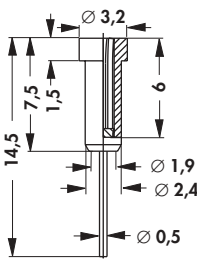



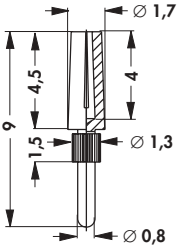
for 0.4 mm with BeCu spring 3 μm Ni, 1 μm Au

	
art. no.	
SB 1	


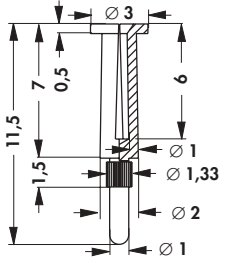
for 0.4 mm with bronze spring, teflon insulated

	
art. no.	
SB 2	

for 0.8 mm, slotted

	
art. no.	
SB 3	

for 1 mm, slotted

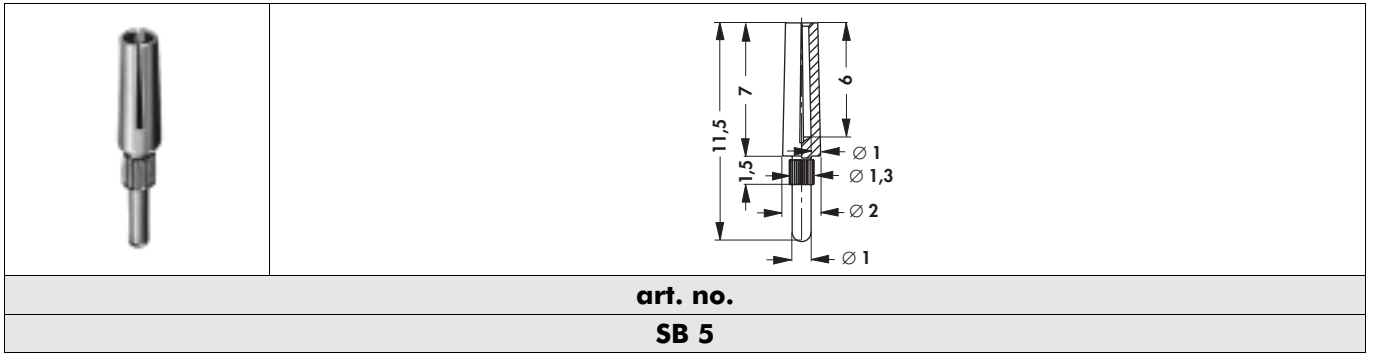
	
art. no.	
SB 4	

material: brass 2 μm Ni, 0.25 μm Au (unless otherwise stated)

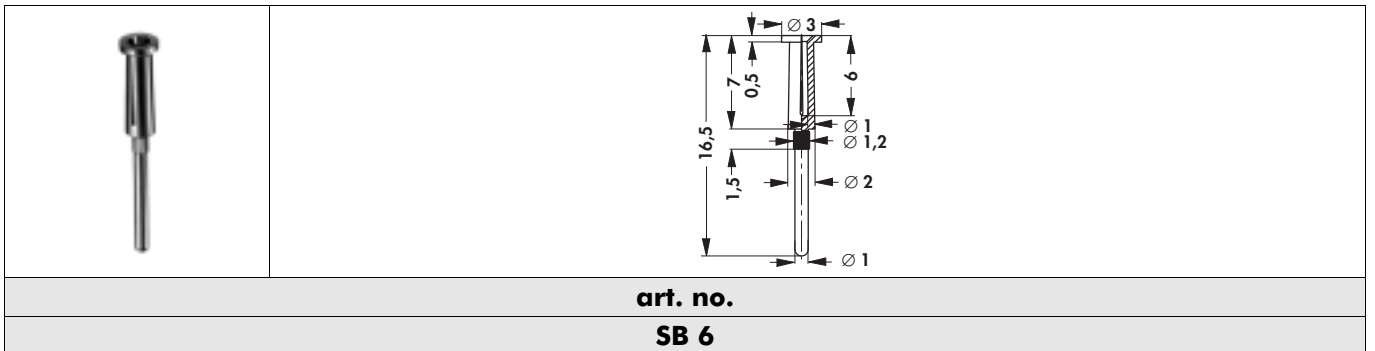
A

Connector-sleeves

B

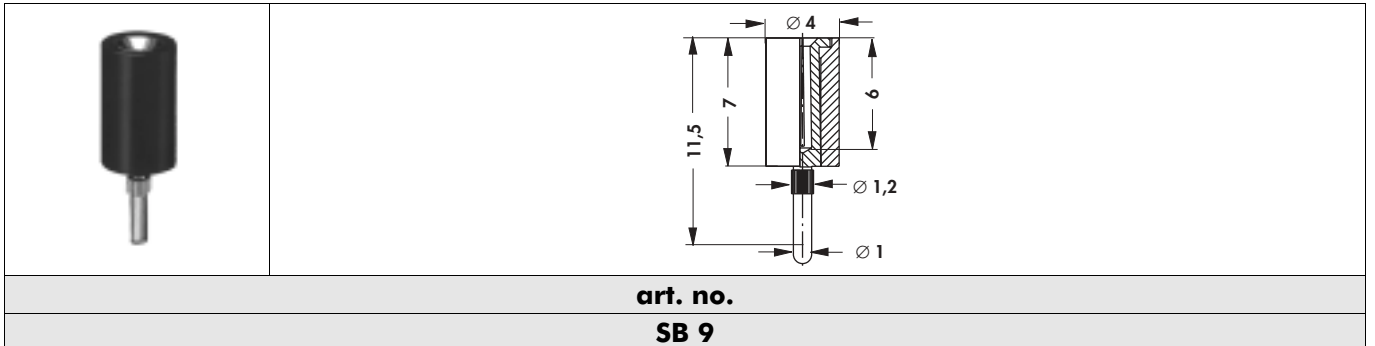
for 1 mm, slotted


D

for 1 mm, slotted


E

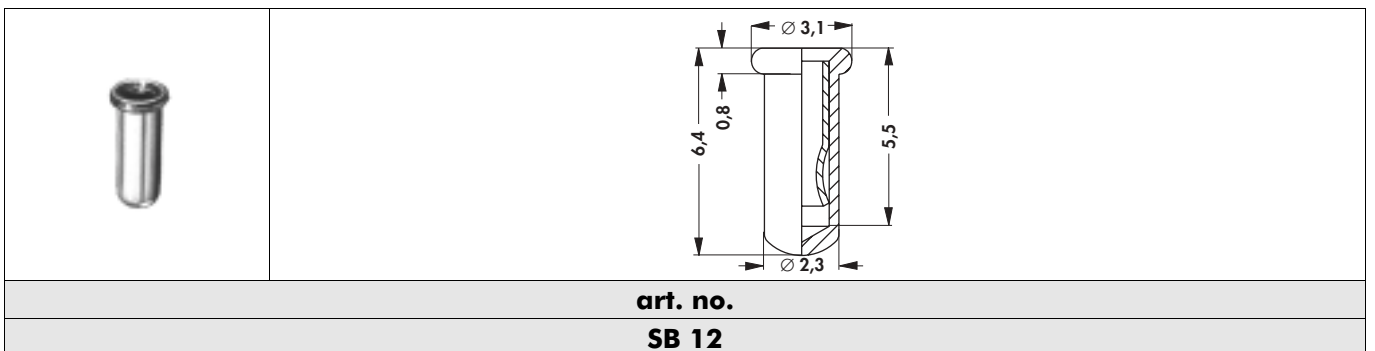
F

for 1 mm, slotted, plastic insulated


G

H

I

for 1 mm, with BeCu spring 3 μm Ni, 1 μm Au


K

L

M

material: brass 2 μm Ni, 0.25 μm Au (unless otherwise stated)

N

F 35


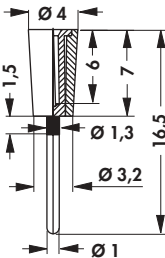
High-precision female headers
 High-prec. male headers .1" solder
 Teflon sockets/TO 5 & TO 18
 Jumper links

→ G 3 - 5
 → G 24 - 26
 → F 29 - 30
 → F 33


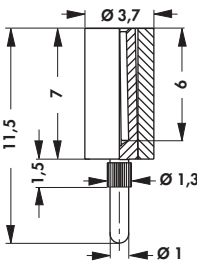
Sockets/stamped contact spring
 Single precision contacts

→ F 31
 → F 2 - 3


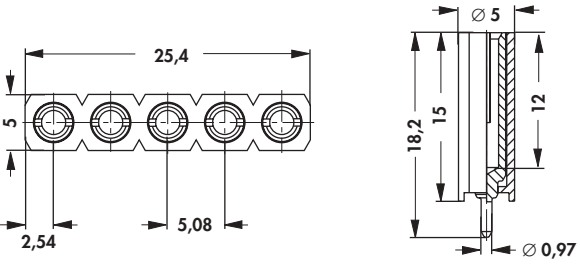
for 1 mm, slotted, plastic insulated

	
art. no.	
SB 16	

for 2 mm, slotted, plastic insulated

	
art. no.	
SB 13 ...	
<p>please indicate:</p>	<p>... case colour B = blue R = red S = black</p>

for 2 mm, slotted, plastic insulated, separable

	
art. no.	
SB 15	

material: brass 2 μm Ni, 0.25 μm Au (unless otherwise stated)