

Direct female connector

Without short circuit contact for PCB thickness: 0.7-0.9 mm

for removable connection of digital displays, coding switches, impulse counters

<p>art. no.</p> <p>DF 1 OK 9 Z</p>				
<p>art. no.</p> <p>DF 2 OK 9 Z</p>				

With short circuit contact for PCB thickness: 0.7-0.9 mm

for removable connection of digital displays, coding switches, impulse counters

<p>art. no.</p> <p>DF 1 MK 9 Z</p>				
<p>art. no.</p> <p>DF 2 MK 9 Z</p>				

K = arcing contact

Female headers .1" solder
IDC-connectors
Male con./fem. con. 2.35" solder
Technical data

→ G 29
→ G 19
→ G 2
→ G 72 - 76

Male headers .1" SMD
Male headers .1" solder

→ G 36 - 40
→ G 8 - 18

G 50

A

B

C

D

E

F

G

H

I

K

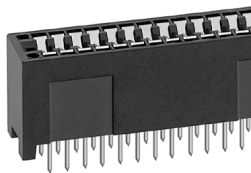
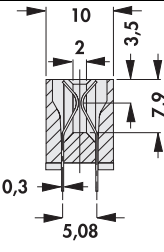
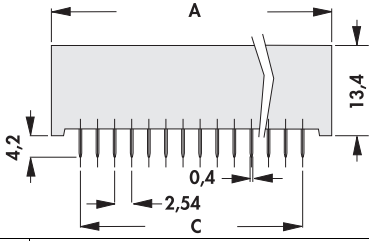
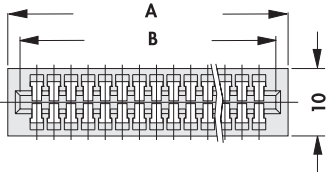
L

M

N

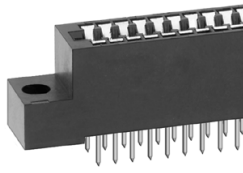
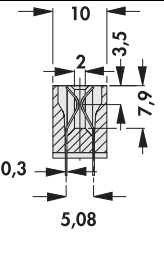
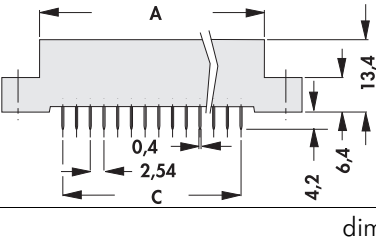
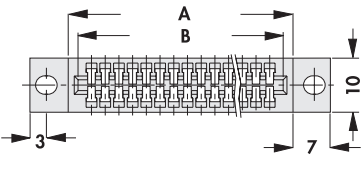
Direct female connector

Without mounting eyelets for PCB thickness: 1.4-1.8 mm

				dim. [mm]		
				no. of contacts	A	B
art. no.						
DF OB 06	12	21.33	17.70	12.70		
DF OB 07	14	23.87	20.24	15.24		
DF OB 10	20	31.49	27.86	22.86		
DF OB 15	30	44.19	40.56	35.56		
DF OB 17	34	49.27	45.64	40.64		
DF OB 18	36	51.81	48.18	43.18		
DF OB 30	60	82.29	78.66	73.66		
DF OB 31	62	84.83	81.20	76.20		
DF OB 32	64	87.37	83.74	78.74		

contact surface finish: tin-plated

With mounting eyelets for PCB thickness: 1.4-1.8 mm

				dim. [mm]		
				no. of contacts	A	B
art. no.						
DF MB 06	12	21.33	17.70	12.70		
DF MB 07	14	23.87	20.24	15.24		
DF MB 10	20	31.49	27.86	22.86		
DF MB 15	30	44.19	40.56	35.56		
DF MB 17	34	49.27	45.64	40.64		
DF MB 18	36	51.81	48.18	43.18		
DF MB 30	60	82.29	78.66	73.66		
DF MB 31	62	84.83	81.20	76.20		
DF MB 32	64	87.37	83.74	78.74		

contact surface finish: tin-plated