
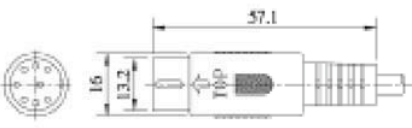

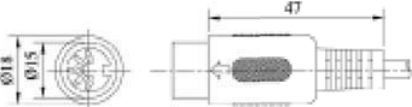

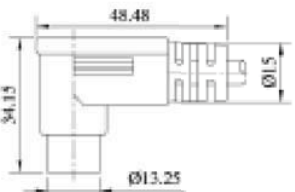

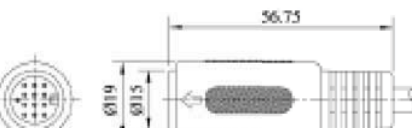


# Molded Cable

## Molded Din Connector Cable

### Specification for Din Connector

1. Current Carrying Capacity: 12V DC 2A or 100V AC 2A Max
2. Contact Resistance: 20mΩ Max.
3. Insulation Resistance: 100MΩ at DC 500V Min.
4. Dielectric Strength: AC 800V 1 Minute




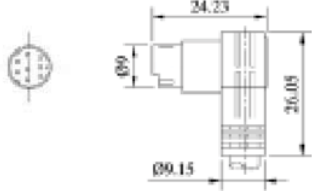


Figure	Drawing	Contact	Part No.
		3 4 5 6 7 8 13	UT-D100-3P UT-D100-4P UT-D100-5P UT-D100-6P UT-D100-7P UT-D100-8P UT-D100-13P
		3 4 5 6 7 8 13	UT-D250-3P UT-D250-4P UT-D250-5P UT-D250-6P UT-D250-7P UT-D250-8P UT-D250-13P
		3 4 5 6 7 8 13	UT-D470-3P UT-D470-4P UT-D470-5P UT-D470-6P UT-D470-7P UT-D470-8P UT-D470-13P
		3 4 5 6 7 8 13	UT-D460-3P UT-D460-4P UT-D460-5P UT-D460-6P UT-D460-7P UT-D460-8P UT-D460-13P

# Molded Cable

## Molded Mini Din Connector Cable

### Specification


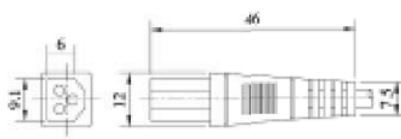

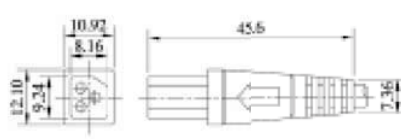

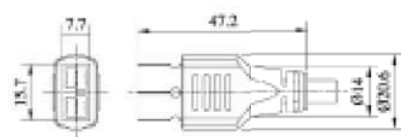

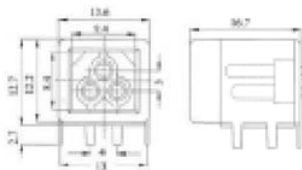

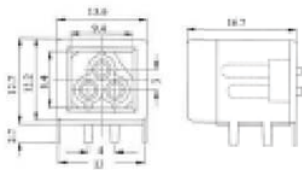

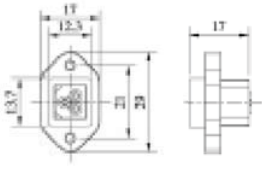

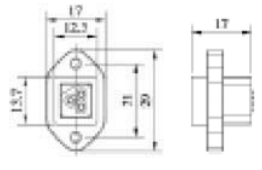
1. Current Carrying Capacity: 12V DC 2A Max.
2. Contact Resistance: 30mΩMax.
3. Insulation Resistance: DC 250V 50MΩMin.
4. Dielectric Strength: AC 250V 1 Minute

Figure	Drawing	Contact	Part No.
		3 4 5 6 7 8 9	UT-D090-3P UT-D090-4P UT-D090-5P UT-D090-6P UT-D090-7P UT-D090-8P UT-D090-9P
		3 4 5 6 7 8 9	UT-D120-3P UT-D120-4P UT-D120-5P UT-D120-6P UT-D120-7P UT-D120-8P UT-D120-9P
		3 4 5 6 7 8 9	UT-D340-3P UT-D340-4P UT-D340-5P UT-D340-6P UT-D340-7P UT-D340-8P UT-D340-9P




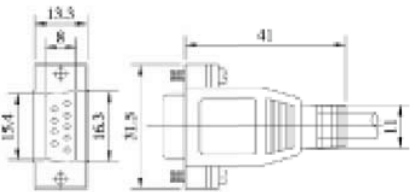

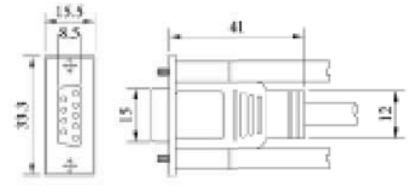

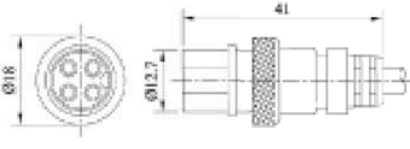

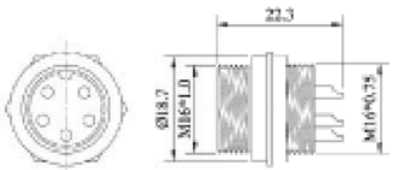
# Housing Connector Molded Cable and Socket

## Housing Connector Molded Cable

Figure	Drawing	Part No.	Specification
		UT-P650-3P	<b>1.Current rating:</b> 20V DC 8A Max. <b>2.Voltage rating</b> 500V AC <b>3.Insulation Resistance</b> 1000M $\Omega$ Min. 250V <b>4.Dielectric Strength</b> AC 500V 1Minute
		UT-P660-3P	
		UT-D226-2P	<b>1.Current rating:</b> 45A <b>2.Voltage rating:</b> 600V <b>3.Dielectric Strength</b> AC 2200V
		UT-HS001-3P	<b>1.Current rating:</b> 20V DC 8A Max. <b>2.Voltage rating</b> 500V AC <b>3.Insulation Resistance</b> 1000M $\Omega$ Min. 250V <b>4.Dielectric Strength</b> AC 500V 1Minute
		UT-HS002-3P	
		UT-HS001-3PP	
		UT-HS002-3PP	


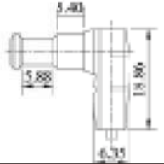

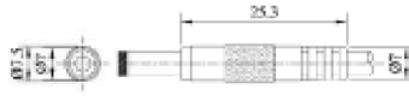

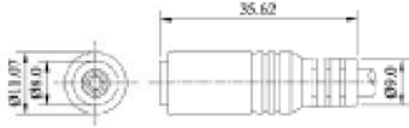

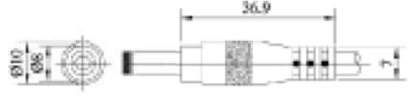

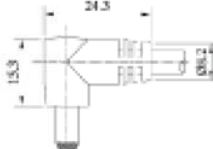

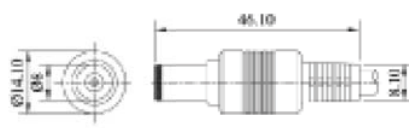

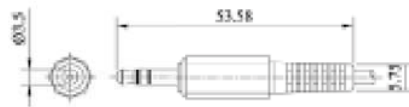

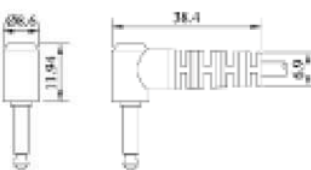
# Molded Cable

RS232/ DC/ USB/ Mini USB/ Audio/ Video Plug Jack Connector

Figure	Drawing	Part No.	Specification
		UT-D530-9P	1.Current rating: 5A 3.Dielectric Strength AC 500V 1 Minute
		UT-D740-9P-M UT-D740-9P-F UT-D740-15HD-M UT-D740-15HD-F	
		UT-D330-2P UT-D330-3P UT-D330-4P UT-D330-5P UT-D330-6P UT-D330-7P UT-D330-8P	1.Current rating: 1A-15A 3.Dielectric Strength AC 500V 1 Minute
		UT-AS3320-2P UT-AS3320-3P UT-AS3320-4P UT-AS3320-5P UT-AS3320-6P UT-AS3320-7P UT-AS3320-8P	

# Molded Cable

## RS232/ DC Plug/ Audio/ Video Plug Jack Connector

Figure	Drawing	Part No.	Available Connector	
			OD	ID
		UT-P570	6.2	1.9
		UT-P108-23507 UT-P108-3209 UT-P108-35135 UT-P108-3811 UT-P108-4017 UT-P108-47517	2.35 3.2 3.5 3.8 4.0 4.75	0.7 0.9 1.35 1.1 1.7 1.7
		UT-P930-5521 UT-P930-5525	5.5 5.5	2.1 2.5
		UT-P106-5521 UT-P106-5525	5.5 5.5	2.1 2.5
		UT-P103-5521 UT-P103-5525 UT-P103-6530	5.5 5.5 6.5	2.1 2.5 3.0
		UT-P590	8	1.5
		UT-P1120-3.5M UT-P1120-3.5S	3.5 Mono 3.5 Stereo	
		UT-P1430-2.5M UT-P1430-2.5S	2.5 Mono 2.5 Stereo	