

INTERCONNECTION

2.5mm Pitch PCB Mounting Crimp Connectors

- Ideal for installed pcb's in boiler controls, HVAC
- Polarised to avoid mis-mating
- Vertical headers
- 2 to 20 poles
- Staggered pin header available (CTM601)
- Two sizes of crimp contact

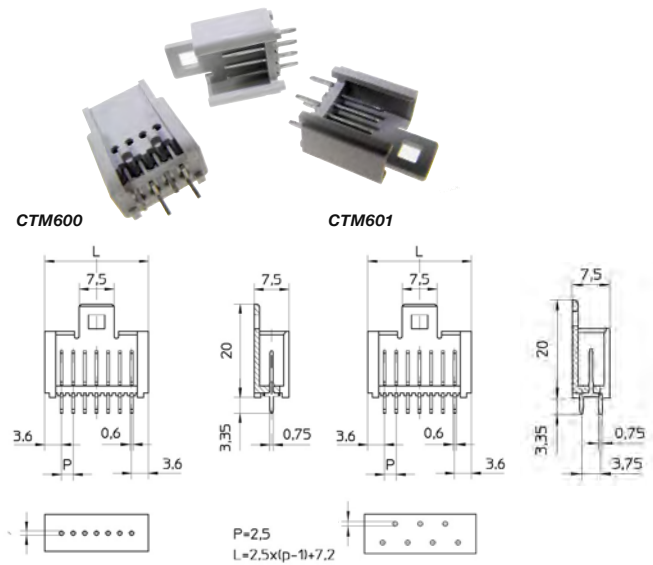
SPECIFICATION

Rating (Male connectors)	125V/6A	
Working temperature	110°C	
Moulding	Grey UL94-V0 flame retardant PA	
Contact	Male	Tinned, nickel plated brass
	Female	Tinned brass
Wire strip length	4mm	

PCB Mounting Male

TYPE NO.	POLES	LENGTH
CTM600/2	2	12.2mm
CTM600/3	3	14.7mm
CTM600/4	4	17.2mm
CTM600/5	5	19.7mm
CTM600/6	6	22.2mm
CTM600/7	7	29.7mm
CTM600/8	8	24.7mm
CTM600/9	9	29.7mm
CTM600/10	10	32.2mm
CTM600/11	11	34.4mm
CTM600/12	12	37.2mm
CTM600/13	13	39.7mm
CTM600/14	14	42.2mm
CTM600/15	15	44.7mm
CTM600/16	16	47.2mm
CTM600/17	17	49.7mm
CTM600/18	18	52.2mm
CTM600/19	19	54.7mm
CTM600/20	20	57.2mm

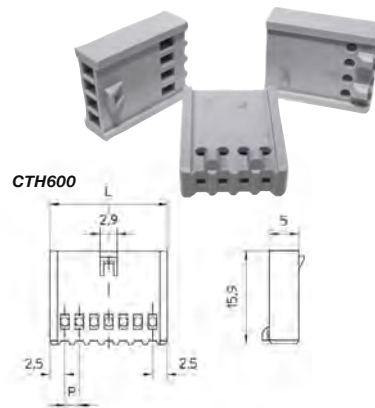
TYPE NO.	POLES	LENGTH
CTM601/2	2	12.2mm
CTM601/3	3	14.7mm
CTM601/4	4	17.2mm
CTM601/5	5	19.7mm
CTM601/6	6	22.2mm
CTM601/7	7	29.7mm
CTM601/8	8	24.7mm
CTM601/9	9	29.7mm
CTM601/10	10	32.2mm
CTM601/11	11	34.4mm
CTM601/12	12	37.2mm
CTM601/13	13	39.7mm
CTM601/14	14	42.2mm
CTM601/15	15	44.7mm
CTM601/16	16	47.2mm
CTM601/17	17	49.7mm
CTM601/18	18	52.2mm
CTM601/19	19	54.7mm
CTM601/20	20	57.2mm



Female Connectors

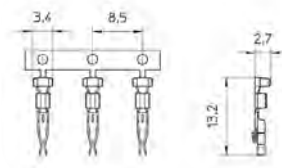
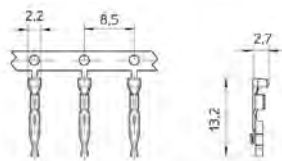
TYPE NO.	POLES	LENGTH
CTH600/2	2	7.5mm
CTH600/3	3	10mm
CTH600/4	4	12.5mm
CTH600/5	5	15mm
CTH600/6	6	17.5mm
CTH600/7	7	20mm
CTH600/8	8	22.5mm
CTH600/9	9	22.5mm
CTH600/10	10	25mm
CTH600/11	11	27mm

TYPE NO.	POLES	LENGTH
CTH600/12	12	30mm
CTH600/13	13	37.5mm
CTH600/14	14	40mm
CTH600/15	15	42mm
CTH600/16	16	54mm
CTH600/17	17	42.5mm
CTH600/18	18	45mm
CTH600/19	19	47.5mm
CTH600/20	20	50mm



Crimps

TYPE NO.	RATING	WIRE SIZE
CTC600	6A	0.2 — 0.35mm ² 24 — 22AWG
CTC750	7.5A	0.2 — 0.5mm ² 24 — 20AWG



INTERCONNECTION

5.08mm Pitch PCB Mounting Crimp Connectors

- Ideal for installed pcb's in boiler controls, HVAC
- Polarised to avoid mis-mating
- Horizontal and vertical headers
- 2 to 8 poles

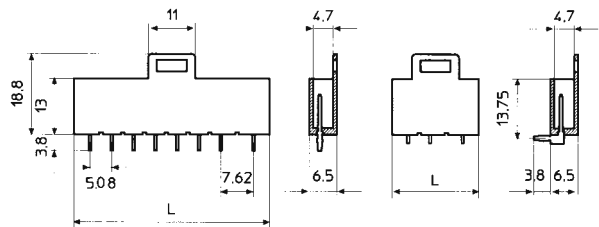
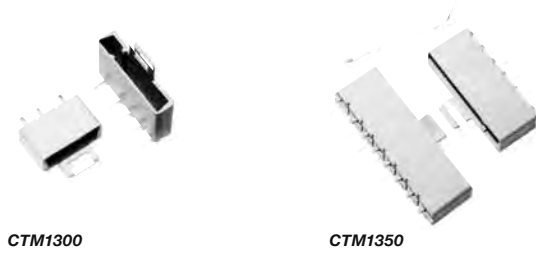
SPECIFICATION

Rating (Male connectors)	320V/4A	
Working temperature	85°C	
Contact resistance	≤10mOhms	
Moulding	Grey UL94-V0 PA	
Contact	Male	Tinned, nickel plated brass
	Female	Tinned brass
Cable	Female	0.5mm to 1mm

PCB Mounting Male

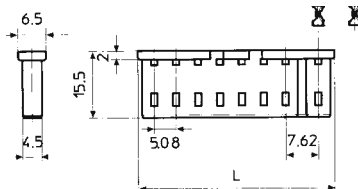
TYPE NO.	POLES	LENGTH
CTM1300/2	2	15.1mm
CTM1300/3	3	20.2mm
CTM1300/4	4	25.3mm
CTM1300/5	5	30.4mm
CTM1300/6	6	35.5mm
CTM1300/7	7	40.5mm
CTM1300/8	8	45.6mm

TYPE NO.	POLES	LENGTH
CTM1350/2	2	15.1mm
CTM1350/3	3	20.2mm
CTM1350/4	4	25.3mm
CTM1350/5	5	30.4mm
CTM1350/6	6	35.5mm
CTM1350/7	7	40.5mm
CTM1350/8	8	45.6mm



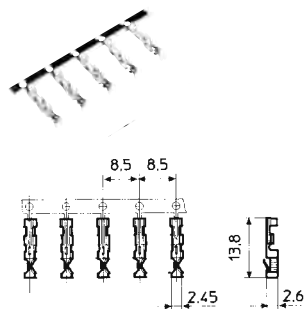
Female Connectors

TYPE NO.	POLES	LENGTH
CTH1300/2	2	15.1mm
CTH1300/3	3	20.2mm
CTH1300/4	4	25.3mm
CTH1300/5	5	30.4mm
CTH1300/6	6	35.5mm
CTH1300/7	7	40.5mm
CTH1300/8	8	45.6mm



Crimps

TYPE NO.	RATING	WIRE SIZE
CTC1300	4A	0.5 – 0.5mm ² 30 – 16AWG



PCB
TERMINAL
BLOCKS

INTER-
CONNECTION

FUSES &
FUSE-
HOLDERS

LEDs &
INDICATORS

MINIATURE
SWITCHES

LIMIT &
SAFETY
SWITCHES

CONTROL
PRODUCTS

INTERFACE
MODULES &
SUPPORTS

RELAY
BASES

ENCLOSURES

BATTERIES

TRANS-
FORMERS



We operate a constant improvement policy,
our products are subject to change without notice.