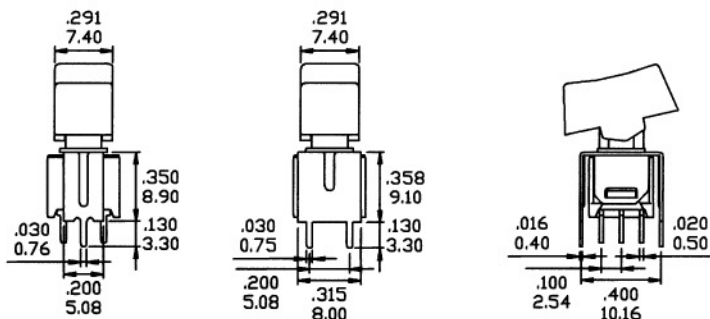


TERMINATION OPTIONS

VS2-VS3



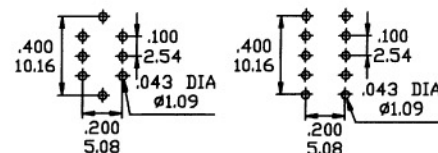
DPDT



P.C.MOUNTING

VS2

VS3

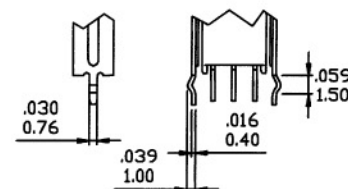
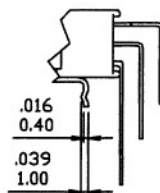
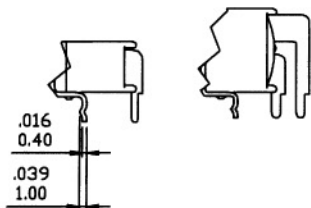


SNAP-IN TERMINATION OPTIONS

M61

M71

VS21



* PC Mounting for M61,M71,VS21 refer to M6,M7,VS2 respectively.

CONTACT MATERIAL OPTIONS

Coding	Contact Material	Terminal Plating	Rating	Agency Approvals
Q	Silver ¹	Silver plated ¹	3Amps @ 125VAC or 28VDC 1.5Amps @ 250VAC	
P		Tin plated ⁵		
R	Gold ²	Gold plated ⁴	0.4VA max @ 20V max (AC or DC)	
K		Tin plated ⁵		
G	Silver ¹	Gold over ³ silver	3Amps @ 125VAC or 28VDC 1.5Amps @ 250VAC	

1. Movable Contact / Terminals: Copper alloy, silver plated.
2. Movable Contact: Copper alloy with gold plated over nickel plated.
3. Terminals: Silver plated with outer layer in gold plating.
4. Terminals: Copper alloy, with gold plated over nickel plated.
5. Outer Terminals: Copper alloy with pure tin plated.
6. Terminal Contact: Gold plated over nickel plated.
7. Terminal Contact: Palladium nickel alloy (or Silver) plated.

* P, K is not available with M1 terminal.