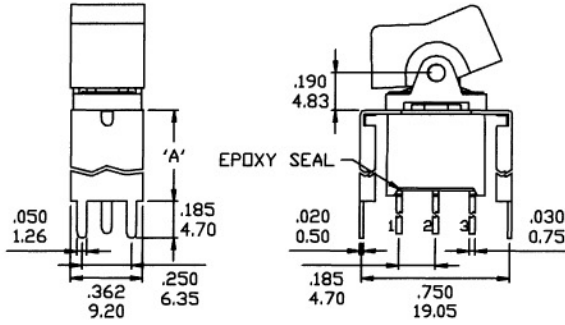


TERMINATION OPTIONS

VS4-VS5

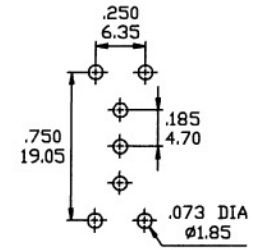


SPDT



OPTION CODE	DIM. 'A'
VS4	.461 11.70
VS5	.630 16.00

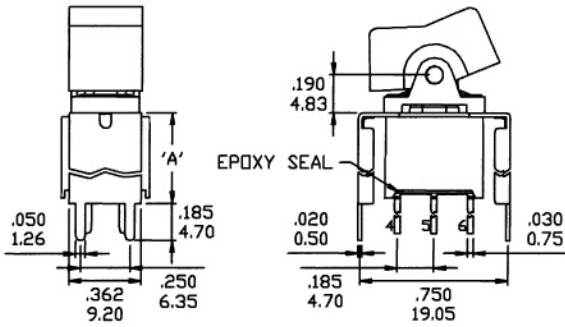
P.C.MOUNTING



VS4-VS5

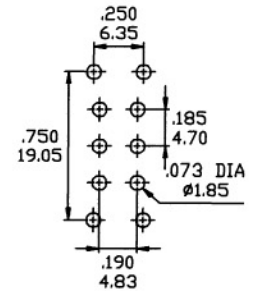


DPDT



OPTION CODE	DIM. 'A'
VS4	.461 11.70
VS5	.630 16.00

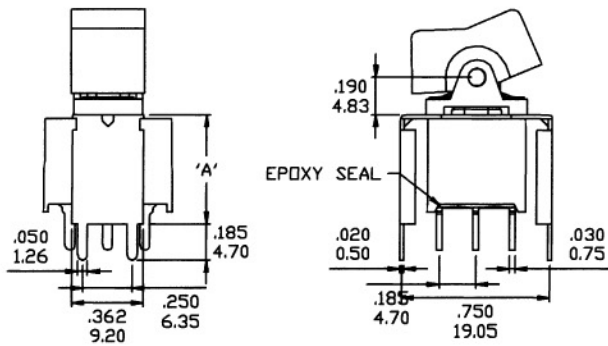
P.C.MOUNTING



U4-VS5

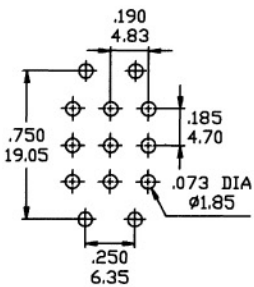


3PDT



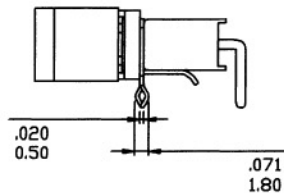
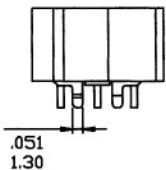
OPTION CODE	DIM. 'A'
U4	.551 14.00
VS5	.630 16.00

P.C.MOUNTING

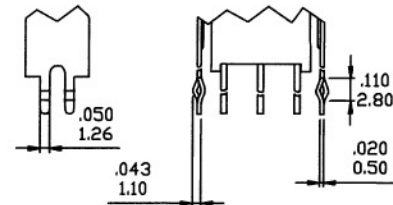


SNAP-IN TERMINATION OPTIONS

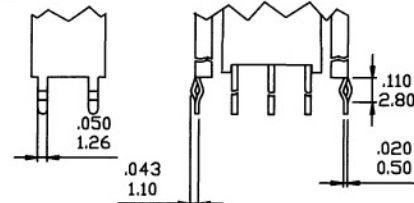
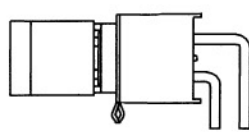
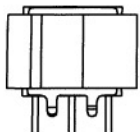
M61



VS21,VS31



VS41,VS51



* PC Mounting for M61,M71,VS21,VS31,VS41,VS51 refer to M6,M7,VS2,VS3,VS4,VS5 respectively.