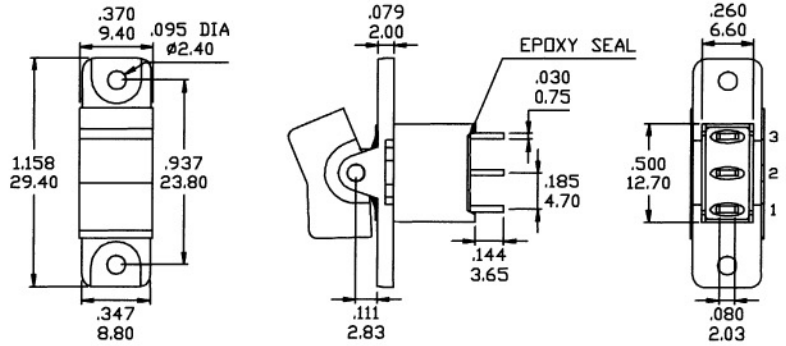
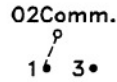


## SPDT



Model No.	Switching Position		
WSP-1	ON	NONE	ON
WSP-2	ON	NONE	(ON)
WSP-3	ON	OFF	ON
WSP-4	(ON)	OFF	(ON)
WSP-5	ON	OFF	(ON)
Term. Comm.	2-3	OPEN	2-1

Schematic



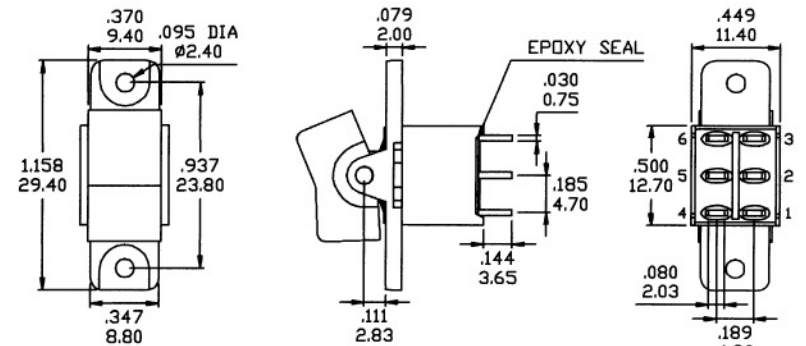
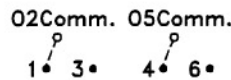
## DPDT



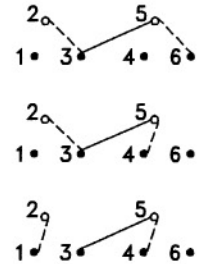
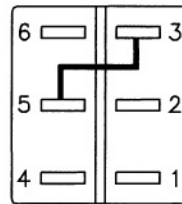
Model No.	Switching Position		
WDP-1	ON	NONE	ON
WDP-2	ON	NONE	(ON)
WDP-3	ON	OFF	ON
WDP-4	(ON)	OFF	(ON)
WDP-5	ON	OFF	(ON)
Term. Comm.	2-3,5-6	OPEN	2-1,5-4

Model No.	Switching Position		
WDP-6	ON	ON	ON
WDP-7	(ON)	ON	(ON)
WDP-8	ON	ON	(ON)
WDP-9	OFF	ON	(ON)
Term. Comm.	2-3,5-6	2-3,5-4	2-1,5-4

Schematic



### WIRING FOR ON-ON-ON (3-WAY) FUNCTION



## 3PDT



Model No.	Switching Position		
W3P-1	ON	NONE	ON
W3P-2	ON	NONE	(ON)
W3P-3	ON	OFF	ON
W3P-4	(ON)	OFF	(ON)
W3P-5	ON	OFF	(ON)
Term. Comm.	2-3,5-6	OPEN	2-1,5-4

Schematic

