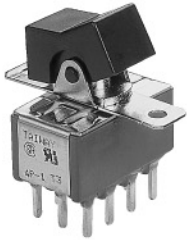
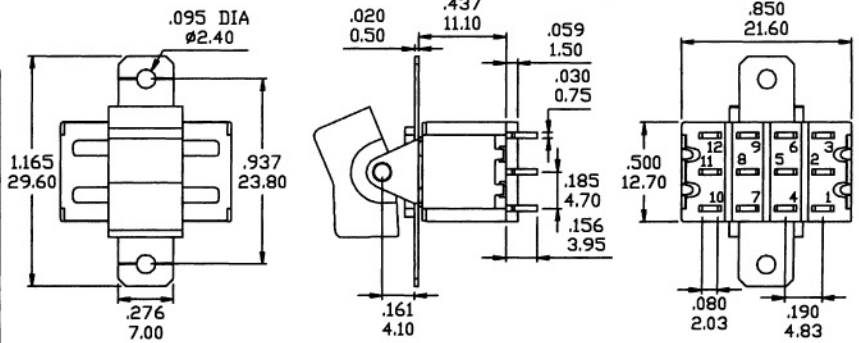


4PDT

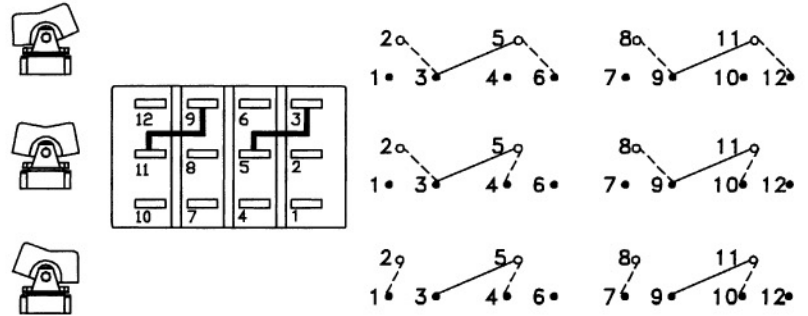


Model No.	Switching Position		
4P-1	ON	NONE	ON
4P-2	ON	NONE	(ON)
4P-3	ON	OFF	ON
4P-4	(ON)	OFF	(ON)
4P-5	ON	OFF	(ON)
Term. Comm.	2-3,5-6 8-9, 11-12	OPEN	2-1,5-4 8-7, 11-10

Model No.	Switching Position		
4P-6	ON	ON	ON
4P-7	(ON)	ON	(ON)
4P-8	ON	ON	(ON)
4P-9	OFF	ON	(ON)
Term. Comm.	2-3,5-6 8-9, 11-12	2-3,5-4 8-9, 11-10	2-1,5-4 8-7, 11-10

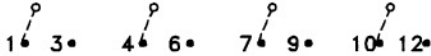


WIRING FOR ON-ON-ON (3-WAY) FUNCTION



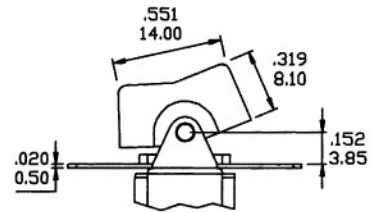
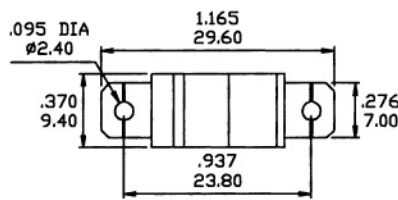
Schematic

O2Comm. O5Comm. O8Comm. O11Comm.



ACTUATOR OPTIONS FOR PANEL REAR MOUNT

R1



R2

