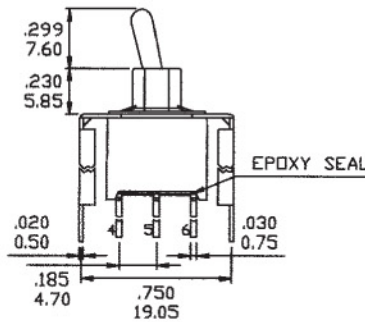
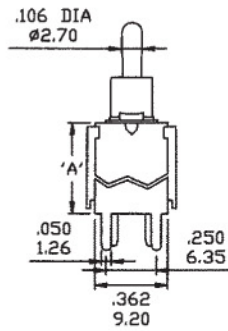


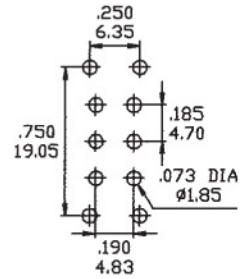
TERMINATION OPTIONS

VS4-VS5

P.C.MOUNTING



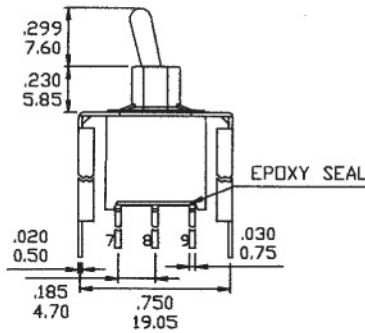
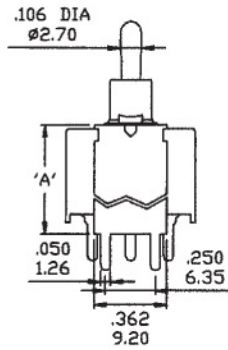
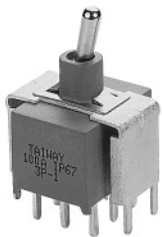
OPTION CODE	DIM. 'A'
VS4	.461 11.70
VS5	.630 16.00



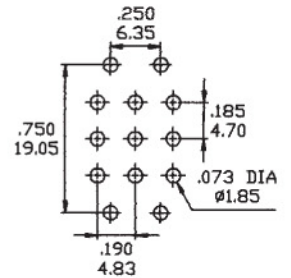
DPDT

U4-VS5

P.C.MOUNTING



OPTION CODE	DIM. 'A'
U4	.551 14.00
VS5	.630 16.00

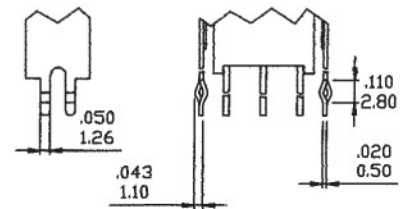
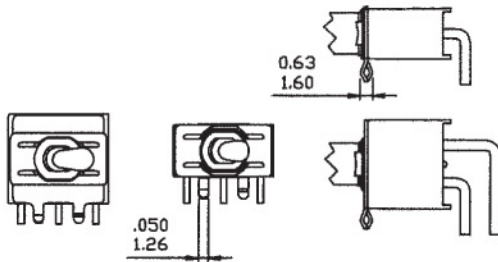


3PDT

SNAP-IN TERMINATION OPTIONS

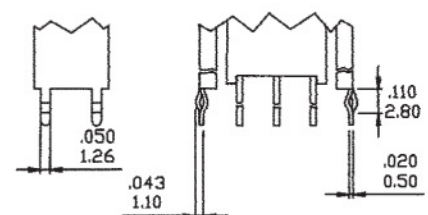
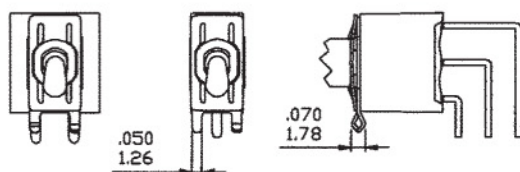
M61

VS21,VS31



M71

VS41,VS51



* PC Mounting for M61,M71,VS21,VS31,VS41,VS51 refer to M6,M7,VS2,VS3,VS4,VS5 respectively.